

YC SERIES

YC系列大马力单相电容启动异步电动机

YC SERIES SINGLE PHASE HEAVY-DUTY CAPACITOR STARTING INDUCTION MOTOR



DONGCHUN

特点 FEATURES

YC系列电机是全封闭风冷大马力单相异步电机。配启动电容。

此款电机启动转矩大，平滑运转，低温升，低噪声，过载能力强，适用带动小型钻孔机、水泵、尤其适用于仅有单相电流供应的工厂使用。

YC series motors are totally enclosed fan cooled (TEFC) heavy-duty single-phase capacitor start induction motors.

These motors also concentrate the advantages of large starting torque, smooth turning, low temperature rise, low noise and great overload performance. They are suitable for powering small type drilling machines and water pumps, especially for family workshops where only single-phase current supply is available.

使用条件 OPERATING CONDITIONS

YC 配启动电容

机座号：H80-H132

额定功率：2极为0.37KW-3.7KW,4极为0.25KW-7.5KW

外壳材料：铸铁（接线盒为塑料或铁皮）

额定电压：220V±5% 50HZ

(按要求也可以生产60HZ)

防护等级：IP44

绝缘等级：B/F级

冷却方式：IC 411

工作制：S1

环境温度：-15°C≤0≤40°C

海拔：1000米

YC Series with capacitor start.

Frame Size: H80-H132

Rated Power Range: 2 pole 0.37kW-3.7kW, 4 pole 0.25kW-7.5kW

House Material: Cast iron (plastic/steel terminal box)

Rated Voltage: 220v±5%, 50hz

60Hz is available on request

Protection Class: IP44

Insulation Class: Class B/F

Cooling Method: IC411

Duty: S1

Ambient temperature: -15°C≤0≤40°C

Altitude: 1000 meters

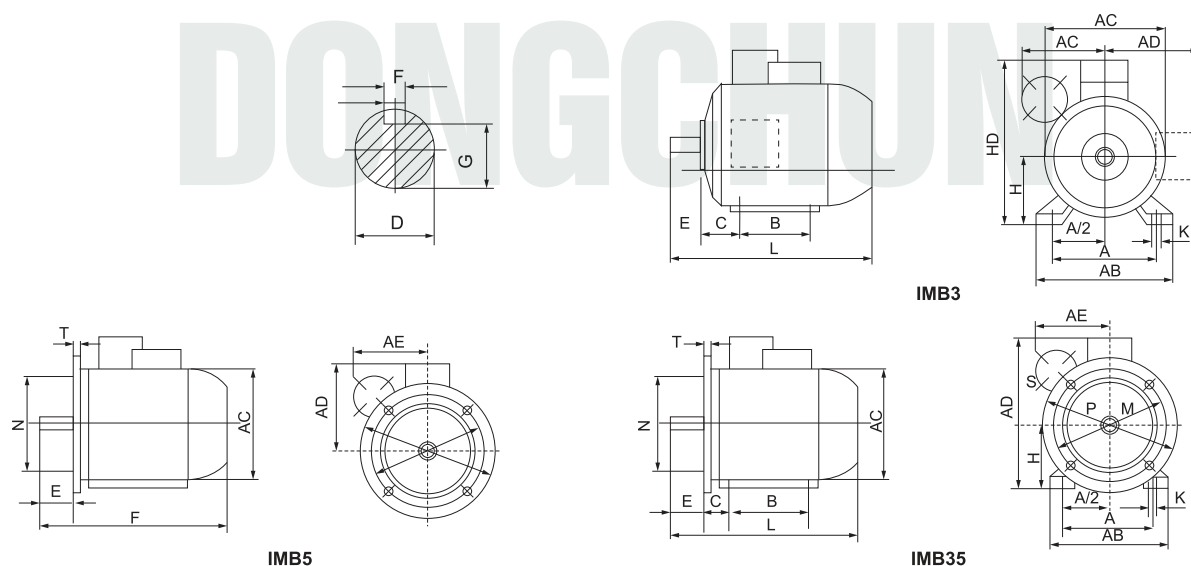


DONGCHUN

技术参数 TECHNICAL DATA

型号 Type	额定功率 Rated power		额定电压 Voltage (V)	频率 Frequency (Hz)	额定电流 Rated Current (A)	额定转速 Rated Speed (r/min)	效率 Efficiency η (%)	功率因数 Power Factor (Cos Φ)	堵转转矩 Locked Torque	堵转电流 Locked Current	最大转矩 Maximum Torque
	KW	HP							额定转矩 Rated Torque Tst/Tn	额定电流 Rated Current Ist/In	额定转矩 Rated torque Tmax/Tn
YC80A-2	0.37	1/2	220	50	3.7	2880	62	0.73	2.8	6.5	1.8
YC80B-2	0.55	3/4	220	50	5.3	2880	65	0.73	2.8	6.5	1.8
YC80C-2	0.75	1	220	50	6.7	2880	68	0.75	2.8	6.5	1.8
YC90S-2	1.1	1.5	220	50	9.1	2880	71	0.77	2.4	7.0	1.8
YC90L-2	1.5	2	220	50	12.1	2880	72	0.78	2.4	7.0	1.8
YC100L-2	2.2	3	220	50	17.1	2900	74	0.79	2.1	7.0	1.8
YC112M1-2	3	4	220	50	21.4	2900	76	0.84	2.2	7.0	1.8
YC112M2-2	3.7	5	220	50	24.8	1450	79	0.86	2.2	6	1.8
YC80A-4	0.25	1/3	220	50	3.4	1450	56	0.60	2.8	6	1.8
YC80B-4	0.37	1/2	220	50	4.5	1450	60	0.62	2.8	6	1.8
YC80C-4	0.55	3/4	220	50	6.0	1450	64	0.65	2.8	6.5	1.8
YC90S-4	0.75	1	220	50	7.7	1450	67	0.66	2.4	6.5	1.8
YC90L-4	1.1	1.5	220	50	10.5	1450	70	0.68	2.4	6.5	1.8
YC100L-4	1.5	2	220	50	13.5	1450	72	0.70	2.4	6.5	1.8
YC112M-4	2.2	3	220	50	19.3	1450	72	0.72	2.2	6.5	1.8
YC132SA-4	3	4	220	50	25.2	1450	74	0.73	2.1	6.5	1.8
YC132SB-4	3.7	5	220	50	30	1450	75	0.74	2.1	6.5	1.8
YC132M-4	5.5	7.5	220	50	32.5	1450	81	0.95	2.1	6.5	1.8

安装及外形尺寸 MOUNTING AND OVERALL DIMENSIONS



机座号 Frame Size	安装尺寸 Mounting Dimensions															外形尺寸 Overall Dimensions					
	A	B	C	D	E	F	G	H	K	M	N	P	R	S	T	AB	AC	AE	AD	HD	L
YC80	125	100	50	19	40	6	15.5	80	10	165	130	200	0	12	3.5	160	165	110	120	200	310
YC90S	140	100	56	24	50	8	20	90	10	165	130	200	0	12	3.5	180	185	120	140	240	355
YC90L	140	125	56	24	50	8	20	90	10	165	130	200	0	12	3.5	180	185	120	140	240	385
YC100L	160	140	63	28	60	8	24	100	12	215	180	250	0	15	4	205	220	130	145	260	415
YC112M	190	140	70	28	60	8	24	112	12	215	180	250	0	15	4	245	250	140	160	300	448
YC132S	216	140	89	38	80	10	33	132	12	265	230	300	0	15	4	280	262	150	210	350	470
YC132M	216	178	89	38	80	10	33	132	12	265	230	300	0	15	4	280	262	150	210	350	553