

Y2 SERIES

Y2系列三相异步电动机

Y2 SERIES THREE-PHASE INDUCTION MOTOR



特点FEATURES

Y2系列(中心高H80—355MM,0.18—215KW)电动机是全封闭、自扇冷式鼠笼型三相异步电动机,是在Y系列电机基础上更新设计的一般用途低压三相异步电动机。基本系列产品达到国际90年代先进水平。它是取代Y系列更新换代的产品。Y2系列电动机较Y系列效率高,起动转矩大,且提高了防护等级(IP54),提高了绝缘等级(F级)B级考核,降低了噪声。且用负载噪声考核,其电机结构更加合理,外形新颖美观。电机冷却方式为IC411。安装尺寸及功率等级完全符合IEC标准(与Y系列相同) Y2系列电动机为一般用途的电动机,适用于无特殊要求的各种机械设备。Y2系列电动机额定电压为380V,额定频率为50HZ,3KW以下为Y接法,4KW以上为 Δ 接法。环境温度不超过40℃,海拔不超过1000米,工作方式连续(S1)。

Y2 series aluminum three-phase asynchronous motor is a kind of TEFC squirrel cage motor with the national unified design, it has the characteristic of high efficiency, energy saving, high starting torque, low noise, low vibration and easy maintenance, the grade of power and the mounting measurement are subject to the IEC standard. This series motor is commonly used in the machinery without special requirement specially for reducer, air compressor, water pump, oil pump, packing and food machinery and so on.

使用条件OPERATING CONDITIONS

环境空气温度: $-15^{\circ}\text{C} \leq 0 \leq 40^{\circ}\text{C}$

海拔: 不超过1000米

电压: 220/380V 230/440V 380/660V 400/690V

频率: 50HZ 60HZ

接法: 3KW及以下规格为Y接法, 4KW及以上规格为 Δ 接法

工作方法: 连续(S1)

绝缘等级: F, 绕组定子温升考核80K

防护等级: 机壳IP54、IP55, 接线盒IP55。

冷却方式: IC411

Ambient temperature: $-15^{\circ}\text{C} \leq 0 \leq 40^{\circ}\text{C}$

Altitude: not exceeding 1000 meters

Voltage: 220 / 380V 230 / 440V 380 / 660V 400 / 690V

Rated Frequency: 50HZ 60HZ

Connection: Star-connection for 3KW or less whereas delta-connection

for 4KW or more.

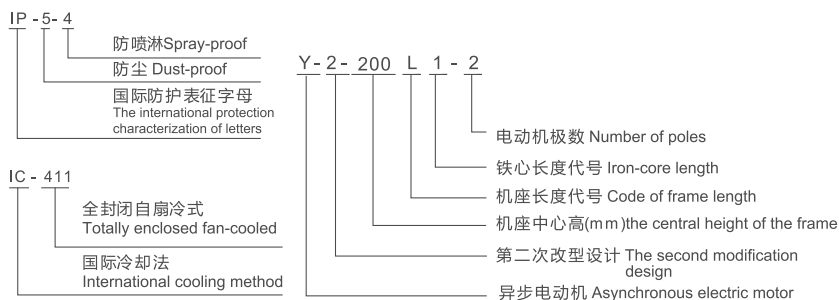
Duty/Rating: Continuous(S1).

Insulation class: F, the temperature rise of the stator winding is examined at 80K (by resistance method).

Protection class: The main body of the motor is IP54, but the terminal box reaches IP55.

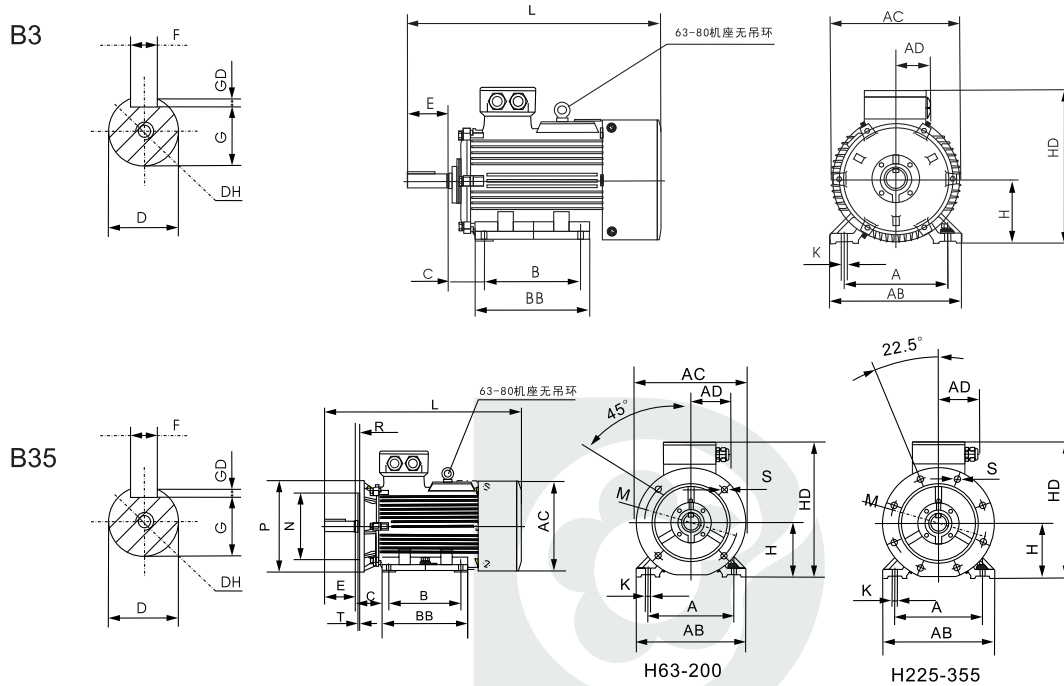
Cooling type: IC411

代号说明EXPLANATION OF TYPE DESIGNATION



型号 Type	额定功率 Rated Power		额定电流 Rated Current (A)			额定转速 Rated Speed (r/min)	效率 Efficiency η(%)	功率因数 Power Factor (CosΦ)	堵转电流 Locked-rotor current	堵转转矩 Locked-rotor torque	最大转矩 Pull-out torque	最小转矩 Minimum Torque	噪音 Noise dB(A)
	KW	HP	380V	400V	415V				额定电流 Rated Current Ist/In	额定转矩 Rated Torque Tst/Tn	额定转矩 Rated torque Tmax/Tn	额定转矩 Rated torque Tmax/Tn	
2极同步转速 Synchronous Speed 3000r/min (2Poles)													
Y2-80M1-2	0.75	1	1.8	1.7	1.68	2840	77.4	0.83	6.1	2.2	2.3	1.5	69
Y2-80M2-2	1.1	1.5	2.6	2.5	2.4	2840	79.6	0.84	7.0	2.2	2.3	1.5	69
Y2-90S2-2	1.5	2	3.46	3.3	3.16	2840	81.3	0.84	7.0	2.2	2.3	1.5	74
Y2-90L-2	2.2	3	4.85	4.61	4.45	2840	83.2	0.85	7.0	2.2	2.3	1.4	74
Y2-100L-2	3.0	4	6.34	6.1	5.81	2860	84.6	0.87	7.5	2.2	2.3	1.4	78
Y2-112M-2	4.0	5.5	8.2	7.8	7.51	2880	85.8	0.88	7.5	2.2	2.3	1.4	79
Y2-132S1-2	5.5	7.5	11.1	10.5	10.15	2910	87.0	0.88	7.5	2.2	2.3	1.2	82
Y2-132S2-2	7.5	10	14.9	14.1	13.6	2910	88.1	0.88	7.5	2.2	2.3	1.2	82
Y2-160M1-2	11	15	21.2	20.2	19.5	2920	89.4	0.89	7.5	2.2	2.3	1.2	88
Y2-160M2-2	15	20	28.6	27.2	26.2	2920	90.3	0.89	7.5	2.2	2.3	1.2	88
Y2-160L-2	18.5	25	34.7	33.0	31.8	2920	90.9	0.90	7.5	2.2	2.3	1.1	88
Y2-180M-2	22	30	41	39.0	37.6	2930	91.3	0.90	7.5	2.0	2.3	1.1	91
Y2-200L1-2	30	40	55.4	52.6	50.7	2940	92.0	0.90	7.5	2.0	2.3	1.1	94
Y2-200L2-2	37	50	67.9	64.5	62.2	2960	92.5	0.90	7.5	2.0	2.3	1.1	94
Y2-225M-2	45	60	82.1	78.0	75.2	2960	92.9	0.90	7.5	2.0	2.3	1.0	94
Y2-250M-2	55	75	100	94.8	91.4	2960	93.2	0.90	7.5	2.0	2.3	1.0	95
Y2-280S-2	75	100	135	129	124	2960	93.8	0.90	7.5	2.0	2.3	0.9	96
Y2-280M-2	90	125	160	152	147	2960	94.1	0.91	7.5	2.0	2.3	0.9	96
Y2-315S-2	110	150	195	186	179	2970	94.3	0.91	7.1	1.8	2.2	0.9	98
Y2-315M-2	132	180	233	222	214	2970	94.6	0.91	7.1	1.8	2.2	0.9	98
Y2-315L1-2	160	220	279	265	256	2970	94.8	0.92	7.1	1.8	2.2	0.9	101
Y2-315L2-2	200	270	348	331	319	2970	95.0	0.92	7.1	1.8	2.2	0.8	101
Y2-355M-2	250	340	433	412	397	2970	95.0	0.92	7.1	1.6	2.2	0.8	105
Y2-355L2	315	420	545	518	499	2970	95.0	0.92	7.1	1.6	2.2	0.8	105
4极同步转速 Synchronous Speed 1500r/min (4Poles)													
Y2-80M1-4	0.55	0.75	1.57	1.49	1.44	1390	75.2	0.75	5.2	2.4	2.3	1.7	63
Y2-80M2-4	0.75	1	2.05	1.99	1.88	1390	79.6	0.76	6.0	2.3	2.3	1.6	63
Y2-90S-4	1.1	1.5	2.85	2.71	2.61	1390	81.4	0.77	6.0	2.3	2.3	1.6	66
Y2-90L-4	1.5	2	3.72	3.54	3.41	1390	82.8	0.79	6.0	2.3	2.3	1.6	66
Y2-100L1-4	2.2	3	5.09	4.90	4.72	1410	84.3	0.81	7.0	2.3	2.3	1.5	69
Y2-100L2-4	3.0	4	6.78	6.39	6.16	1410	85.5	0.82	7.0	2.3	2.3	1.5	69
Y2-112M-4	4.0	5.5	8.8	8.36	8.06	1435	86.6	0.82	7.0	2.3	2.3	1.5	70
Y2-132S-4	5.5	7.5	11.7	11.2	10.8	1440	87.7	0.83	7.0	2.3	2.3	1.4	76
Y2-132M-4	7.5	10	15.6	14.8	14.3	1440	88.7	0.84	7.0	2.3	2.3	1.4	76
Y2-160M-4	11	15	22.5	21.4	20.6	1460	89.8	0.84	7.0	2.2	2.3	1.4	80
Y2-160L-4	15	20	30	28.5	27.5	1460	90.6	0.85	7.5	2.2	2.3	1.4	79
Y2-180M-4	18.5	25	36.3	34.5	33.3	1470	91.2	0.86	7.5	2.2	2.3	1.2	80
Y2-180L-4	22	30	43.2	40.8	39.3	1470	91.6	0.86	7.5	2.2	2.3	1.2	80
Y2-200L-4	30	40	57.6	55.1	53.1	1470	92.3	0.86	7.2	2.2	2.3	1.2	83
Y2-225S-4	37	50	70.2	66.7	64.3	1475	92.7	0.87	7.2	2.2	2.3	1.2	85
Y2-225M-4	45	60	84.9	80.7	77.8	1475	93.1	0.87	7.2	2.2	2.3	1.1	84
Y2-250M-4	55	75	103	98.1	94.6	1480	93.5	0.87	7.2	2.2	2.3	1.1	86
Y2-280S-4	75	100	138.3	131	127	1480	94.0	0.87	7.2	2.2	2.3	1.0	89
Y2-280M-4	90	125	165	157	152	1480	94.2	0.87	7.2	2.2	2.3	1.0	89
Y2-315S-4	110	150	201	191	184	1480	94.5	0.88	6.9	2.1	2.2	1.0	96
Y2-315M-4	132	180	240	228	220	1480	94.7	0.88	6.9	2.1	2.2	1.0	96
Y2-315L1-4	160	220	288	273	264	1480	94.9	0.89	6.9	2.1	2.2	1.0	100
Y2-315L2-4	200	270	360	342	329	1480	95.1	0.89	6.9	2.1	2.2	0.9	100
Y2-355M-4	250	340	443	421	406	1490	95.1	0.90	6.9	2.1	2.2	0.9	104
Y2-355L-4	315	420	559	531	511	1490	95.1	0.90	6.9	2.1	2.2	0.8	104

型号 Type	额定功率 Rated Power		额定电流 Rated Current (A)			额定转速 Rated Speed (r/min)	效率 Efficiency η(%)	功率因数 Power Factor (CosΦ)	堵转电流 Locked-rotor current	堵转转矩 Locked-rotor torque	最大转矩 Pull-out torque	最小转矩 Minimum Torque	噪音 Noise dB(A)
	KW	HP	380V	400V	415V				额定电流 Rated Current Ist/In	额定转矩 Rated Torque Tst/Tn	额定转矩 Rated torque Tmax/Tn	额定转矩 Rated torque Tmax/Tn	
6极同步转速 Synchronous Speed 1000r/min(6Poles)													
Y2-80M1-6	0.37	0.55	1.30	1.23	1.19	885	62.0	0.70	4.7	1.9	2.0	1.5	61
Y2-80M2-6	0.55	0.75	1.80	1.70	1.64	885	73.5	0.72	4.7	1.9	2.1	1.5	61
Y2-90S-6	0.75	1	2.29	2.18	2.10	910	75.9	0.72	5.5	2.0	2.1	1.5	64
Y2-90L-6	1.1	1.5	3.18	3.02	2.91	910	78.1	0.73	5.5	2.0	2.1	1.3	64
Y2-100L-6	1.5	2	4	3.80	3.66	920	79.8	0.75	5.5	2.0	2.1	1.3	68
Y2-112M-6	2.2	3	5.6	5.29	5.10	935	81.8	0.76	6.5	2.0	2.1	1.3	72
Y2-132S-6	3.0	4	7.4	7.03	6.78	960	83.3	0.76	6.5	2.1	2.1	1.3	76
Y2-132M1-6	4.0	5.5	9.75	9.26	8.93	960	84.6	0.76	6.5	2.1	2.1	1.3	76
Y2-132M2-6	5.5	7.5	12.9	12.3	11.8	960	86.0	0.77	6.5	2.1	2.1	1.3	76
Y2-160M-6	7.5	10	17.2	16.3	15.8	970	87.2	0.77	6.5	2.0	2.1	1.3	80
Y2-160L-6	11	15	24.5	23.3	22.4	970	88.7	0.78	6.5	2.0	2.1	1.2	80
Y2-180L-6	15	20	31.6	30.0	28.9	970	89.7	0.81	7.0	2.0	2.1	1.2	79
Y2-200L1-6	18.5	25	38.6	36.6	35.3	980	90.4	0.81	7.0	2.1	2.1	1.2	82
Y2-200L2-6	22	30	44.7	42.5	41.0	980	90.9	0.83	7.0	2.1	2.1	1.2	82
Y2-225M-6	30	40	59.3	56.3	54.3	985	91.7	0.84	7.0	2.0	2.1	1.2	82
Y2-250M-6	37	50	71.0	67.5	65.1	980	92.2	0.86	7.0	2.1	2.1	1.2	84
Y2-280S-6	45	60	86	81.7	78.1	980	92.7	0.86	7.0	2.1	2.0	1.1	85
Y2-280M-6	55	75	104	99.5	95.9	980	93.1	0.86	7.0	2.1	2.0	1.1	85
Y2-315S-6	75	100	142	135	130	985	93.7	0.86	7.0	2.0	2.0	1.0	90
Y2-315M-6	90	125	169	161	155	985	94.0	0.86	7.0	2.0	2.0	1.0	90
Y2-315L1-6	110	150	207	196	189	985	94.3	0.86	6.7	2.0	2.0	1.0	90
Y2-315L2-6	132	180	245	232	224	985	94.6	0.87	6.7	2.0	2.0	1.0	89
Y2-355M1-6	160	215	292	278	268	990	94.8	0.88	6.7	1.9	2.0	1.0	96
Y2-355M2-6	200	270	365	347	335	990	95.0	0.88	6.7	1.9	2.0	0.9	96
Y2-355L-6	250	340	457	434	418	990	95.0	0.88	6.7	1.9	2.0	0.9	96
8极同步转速 Synchronous Speed 750r/min(8Poles)													
Y2-80M1-8	0.18	0.25	0.83	0.84	0.80	645	51.0	0.61	3.3	1.8	1.9	1.3	60
Y2-80M2-8	0.25	0.37	1.10	1.08	1.06	645	54.0	0.61	3.3	1.8	1.9	1.3	60
Y2-90S-8	0.37	0.5	1.49	1.41	1.36	670	62.0	0.61	4.0	1.8	1.9	1.3	64
Y2-90L-8	0.55	0.75	2.17	2.07	1.99	670	63.0	0.61	4.0	1.8	2.0	1.3	64
Y2-100L1-8	0.75	1	2.43	2.31	2.22	680	71.0	0.67	4.0	1.8	2.0	1.3	67
Y2-100L2-8	1.1	1.5	3.36	3.20	3.08	680	73.0	0.69	5.0	1.8	2.0	1.2	67
Y2-112M-8	1.5	2	4.4	4.18	4.03	690	75.0	0.69	5.0	1.8	2.0	1.2	69
Y2-132S-8	2.2	3	6.0	5.66	5.46	705	78.0	0.71	6.0	1.8	2.0	1.2	72
Y2-132M-8	3.0	4	7.8	7.41	7.15	705	79.0	0.73	6.0	1.8	2.0	1.2	72
Y2-160M1-8	4.0	5.5	10.3	9.76	9.41	720	81.0	0.73	6.0	1.9	2.0	1.2	76
Y2-160M2-8	5.5	7.5	13.6	12.9	12.5	720	83.0	0.74	6.0	2.0	2.0	1.2	76
Y2-160L-8	7.5	10	17.8	16.9	16.3	720	85.5	0.75	6.0	2.0	2.0	1.2	76
Y2-180L-8	11	15	25.5	24.2	23.3	730	87.5	0.76	6.6	2.0	2.0	1.1	78
Y2-200L-8	15	20	34.1	32.4	31.2	730	88.0	0.76	6.6	2.0	2.0	1.1	80
Y2-225S-8	18.5	25	41.1	39.0	37.6	735	90.0	0.76	6.6	1.9	2.0	1.1	80
Y2-225M-8	22	30	48.9	45.0	43.2	735	90.5	0.78	6.6	1.9	2.0	1.1	80
Y2-250M-8	30	40	63	60.2	58.1	735	91.0	0.79	6.6	1.9	2.0	1.1	82
Y2-280S-8	37	50	78	73.9	71.2	735	91.5	0.79	6.6	1.9	2.0	1.1	83
Y2-280M-8	45	60	94	89.4	86.1	735	92.0	0.79	6.6	1.9	2.0	1.0	82
Y2-315S-8	55	75	111	106	102	735	92.8	0.81	6.6	1.8	2.0	1.0	88
Y2-315M-8	75	100	150	143	138	735	93.0	0.81	6.6	1.8	2.0	0.9	88
Y2-315L1-8	90	125	178	169	163	735	93.8	0.82	6.6	1.8	2.0	0.9	88
Y2-315L2-8	110	150	217	206	199	735	94.0	0.82	6.4	1.8	2.0	0.9	88
Y2-355M1-8	132	180	261	248	239	740	93.7	0.82	6.4	1.8	2.0	0.9	95
Y2-355M2-8	160	220	315	299	288	740	94.2	0.82	6.4	1.8	2.0	0.9	95
Y2-355L-8	200	270	387	368	355	740	94.5	0.83	6.4	1.8	2.0	0.9	95
380V 50Hz 10极同步转速 Synchronous Speed 600r/min(10Poles)													
Y2-315S-10	45	60	100	95	91	590	91.5	0.75	6.2	1.5	2.0	0.8	89
Y2-315M-10	55	75	121	115	111	590	92.0	0.75	6.2	1.5	2.0	0.8	89
Y2-315L1-10	75	100	162	154	148	590	92.5	0.76	6.2	1.5	2.0	0.8	89
Y2-315L2-10	90	125	191	181	175	590	93.0	0.77	6.2	1.5	2.0	0.8	89
Y2-355M1-10	110	150	230	218	211	590	93.2	0.78	6.0	1.3	2.0	0.8	97
Y2-355M2-10	132	180	275	261	252	590	93.5	0.78	6.0	1.3	2.0	0.8	96
Y2-355L-10	160	220	334	317	305	590	93.5	0.78	6.0	1.3	2.0	0.8	96



机座号 Frame Size	极数 Poles	安装尺寸 Mounting Dimensions																凸缘 孔数	外形尺寸 Overall Dimensions						
		A	B	C	D	E	F	G	GD	H	K	M	N	P	R	S	T		AB	AC	AD	BB	HD	L	DH
Y2-80M	2.4.6.8	125	100	50	19	40	6	15.5	3.5	80	10	165	130	200	0	12	3.5	4	165	165	180	130	320	320	M6 × 16
Y2-90S	2.4.6.8	140	100	56	24	50	8	20	4	90	12	165	130	200	0	12	3.5	4	180	180	180	135	350	370	M8 × 19
Y2-90L	2.4.6.8	140	125	56	24	50	8	20	4	90	12	165	130	200	0	12	3.5	4	180	180	180	160	350	395	M8 × 19
Y2-100L	2.4.6.8	160	140	63	28	60	8	24	4	100	12	215	180	250	0	15	4	4	200	205	180	180	400	448	M10 × 22
Y2-112M	2.4.6.8	190	140	70	28	60	8	24	4	112	12	215	180	250	0	15	4	4	245	230	200	180	420	500	M10 × 22
Y2-132S	2.4.6.8	216	140	89	38	80	10	33	5	132	15	265	230	300	0	15	4	4	280	270	200	190	450	550	M12 × 28
Y2-132M	2.4.6.8	216	178	89	38	80	10	33	5	132	15	265	230	300	0	15	4	4	280	270	200	230	450	600	M12 × 28
Y2-160M	2.4.6.8	254	210	108	42	110	12	37	5	160	15	300	250	350	0	19	5	4	330	325	220	260	520	720	M16 × 36
Y2-160L	2.4.6.8	254	254	108	42	110	12	37	5	160	15	300	250	350	0	19	5	4	330	325	220	310	520	750	M16 × 36
Y2-180M	2.4.6.8	279	241	121	48	110	14	42.5	5.5	180	19	300	250	350	0	19	5	4	355	360	220	241	550	771	M16 × 36
Y2-180L	2.4.6.8	279	279	121	48	110	14	42.5	5.5	180	19	300	250	350	0	19	5	4	355	360	220	279	550	791	M16 × 36
Y2-200L	2.4.6.8	318	305	133	55	110	16	49	6	200	19	350	300	400	0	19	5	4	390	400	250	370	645	840	M20 × 42
Y2-225S	4.8	356	286	149	60	140	18	53	7	225	19	400	350	450	0	19	5	8	435	450	250	355	690	888	M20 × 42
Y2-225M	2	356	311	149	55	110	16	49	6	225	19	400	350	450	0	19	5	8	435	450	250	380	690	918	M20 × 42
	4.6.8	356	311	149	60	140	18	53	7	225	19	400	350	450	0	19	5	8	435	450	250	380	690	918	M20 × 42
Y2-250M	2	406	349	168	60	140	18	53	7	250	24	500	450	550	0	19	5	8	490	500	300	420	730	965	M20 × 42
	4.6.8	406	349	168	65	140	18	58	7	250	24	500	450	550	0	19	5	8	490	500	300	420	730	965	M20 × 42
Y2-280S	2	457	368	190	65	140	18	58	7	280	24	500	450	550	0	19	5	8	545	565	300	440	810	1007	M20 × 42
	4.6.8	457	368	190	75	140	20	67.5	7.5	280	24	500	450	550	0	19	5	8	545	565	300	440	810	1007	M20 × 42
Y2-280M	2	457	419	190	65	140	18	58	7	280	24	500	450	550	0	19	5	8	545	565	300	490	810	1072	M20 × 42
	4.6.8	457	419	190	75	140	20	67.5	7.5	280	24	500	450	550	0	19	5	8	545	565	300	490	810	1072	M20 × 42
Y2-315S	2	508	406	216	65	140	18	58	7	315	28	600	550	660	0	24	6	8	640	630	400	570	1020	1185	M20 × 42
	4.6.8.10	508	406	216	80	170	22	71	9	315	28	600	550	660	0	24	6	8	640	630	400	570	1020	1185	M20 × 42
Y2-315M	2	508	457	216	65	140	18	58	7	315	28	600	550	660	0	24	6	8	640	630	400	680	1020	1305	M20 × 42
	4.6.8.10	508	457	216	80	170	22	71	9	315	28	600	550	660	0	24	6	88	640	630	400	680	1020	1305	M20 × 42
Y2-315L	2	508	508	216	65	140	18	58	7	315	28	600	550	660	0	24	6	8	640	630	400	680	1020	1305	M20 × 42
	4.6.8.10	508	508	216	80	170	22	71	9	315	28	600	550	660	0	24	6	8	640	630	400	680	1020	1305	M20 × 42
Y2-355S	2	610	500	254	75	140	20	67.5	7.5	355	28	740	680	800	0	24	6	8	740	750	500	640	1080	1415	M20 × 42
	4.6.8.10	610	500	254	95	170	25	86	9	355	28	740	680	800	0	24	6	8	740	750	500	640	1080	1415	M24 × 50
Y2-355M	2	610	560	254	75	140	20	67.5	7.5	355	28	740	680	800	0	24	6	8	740	750	500	700	1080	1495	M20 × 42
	4.6.8.10	610	560	254	95	170	25	86	9	355	28	740	680	800	0	24	6	8	740	750	500	700	1080	1495	M24 × 50
Y2-355L	2	610	630	254	75	140	20	67.5	7.5	355	28	740	680	800	0	24	6	8	740	750	500	770	1080	1645	M20 × 42
	4.6.8.10	610	630	254	95	170	25	86	9	355	28	740	680	800	0	24	6	8	740	750	500	770	1080	1645	M24 × 50