

IE3 SERIES

IE3系列三相异步电动机

IE3 SERIES THREE-PHASE INDUCTION MOTOR



特点 FEATURES

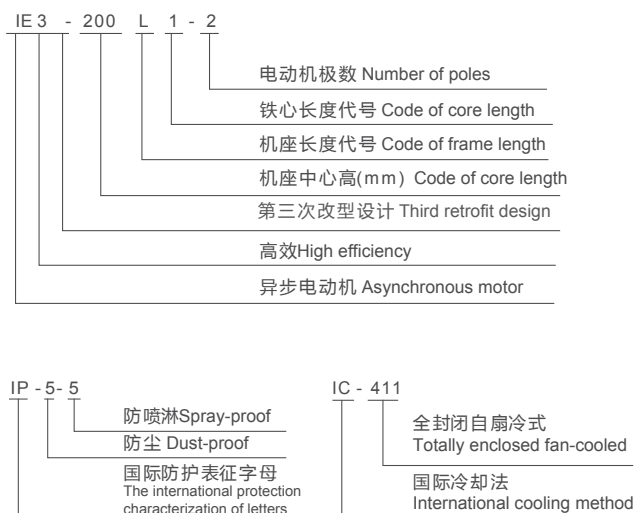
IE3系列三相异步电机是采用新技术、新材料最新开发的系列产品，是Y、Y2系列电机的升级换代产物。YE3系列电机全部采用国际电机行业流行的冷轧硅钢片为新磁性材料，系全封闭，外扇冷式鼠笼型结构，具有效率高（效率达到欧洲EFF标准）噪音低，转矩高，起动性好、结构紧凑、使用维护方便等特点。整机采用F级绝缘，且按国际惯例的绝缘结构式评定方法设计，从而提高了整机的安全可靠。防护等级达到了IP55。达到了国外同类产品的先进水平，是节能型的新产品。IE3系列电机可广泛应用于机床、风机、水泵、减速机、压缩机和交通运输，农业机械，食品加工、包装各类机械传动设备。

IE3 series (IP55) super-high efficiency three phase asynchronous motor (Frame Size 80mm to 355mm), is to achieve energy efficiency limit value of Low pressure totally enclosed fan cooled squirrel cage three phase asynchronous motor. The product is used to various fields of national economy, such as machine tools, pumps, fans, compressors, also apply to the transport, stirring, printing, agricultural machinery, and other types of food not contain flammable, explosive or corrosive gas applications. The motor is IP55, the cooling method is IC411, continuous duty (S1). Class F protection degree insulation structure, but the full range of temperature at B level assessment; and requested the assessment load noise; H315 ~ 355 motor already has installed oiling settings. The motor rated voltage is 380V, rated frequency 50Hz, power rating 0.75~375KW, contain 2P, 4P and 6P motor. The level of the motor runplace no more than 1000 m; The highest temperature is not more than 40°C, the lowest air temperature is -15°C.

使用条件 OPERATING CONDITIONS

环境温度：-15°C ~ 40 °C
 海拔：不超过1000m
 额定电压：380V, 400V, 415V, 440V, 660V
 额定频率：50HZ, 60HZ
 接法：3KW及以下规格为星形接法，
 4KW及以上规格为三角接法
 工作方法：S1
 绝缘等级：F，绕组温升按80K考核
 防护等级：IP55
 冷却方式：IC411
 Ambient temperature: -15°C ~ 40°C
 Altitude: not exceeding 1000meters above sea level.
 Rated voltage: 380V/400V/415V/440V/660V
 Rated frequency: 50Hz or 60Hz.
 Connection: Star-connection for 3KW or less,
 delta-connection for 4KW or more.
 Duty/Rating: Continuous (S1).
 Insulation class: F,
 Protection class: IP55
 Cooling method: IC411

代号说明 EXPLANATION OF TYPE DESIGNATION



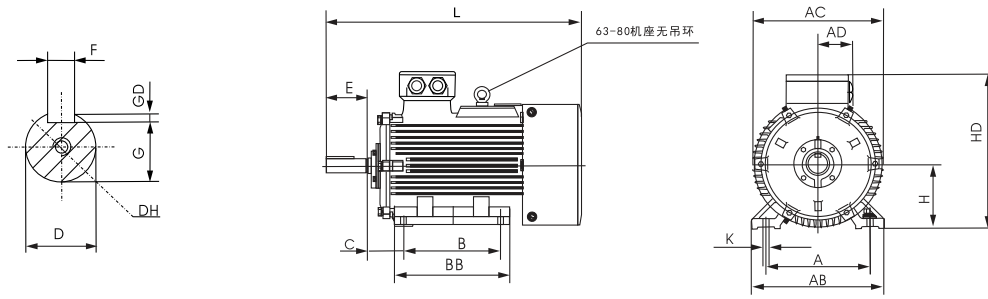
| 型号 Type | 额定功率 Rated Power | | 额定电流 Rated Current (A) | 额定转速 Rated speed (r/min) | 效率 Efficiency η (%) | 功率因数 Power Factor (Cos Φ) | 堵转转矩 Locked-rotor torque | 最大转矩 Pull-out torque | 堵转电流 Locked-rotor current | 最小转矩 Minimum Torque | 噪音 Noise dB(A) |
|---|---------------------|-----|------------------------------|--------------------------------|--------------------------------|---------------------------------------|-------------------------------|---------------------------------|--------------------------------|---------------------------------|----------------------|
| | KW | HP | | | | | 额定转矩 Rated Torque Ts/Tn | 额定转矩 Rated torque Tmax/Tn | 额定电流 Rated Current Is/In | 额定转矩 Rated torque Tmax/Tn | |
| 380V 50Hz 2极同步转速 Synchronous Speed 3000r/min(2Poles) | | | | | | | | | | | |
| IE3-80M1-2 | 0.75 | 1 | 1.64 | 2800 | 80.7 | 0.82 | 2.3 | 2.3 | 7.0 | 1.5 | 64 |
| IE3-80M2-2 | 1.1 | 1.5 | 2.31 | 2800 | 82.7 | 0.83 | 2.2 | 2.3 | 7.3 | 1.5 | 64 |
| IE3-90S-2 | 1.5 | 2 | 3.06 | 2825 | 84.2 | 0.84 | 2.2 | 2.3 | 7.6 | 1.5 | 69 |
| IE3-90L-2 | 2.2 | 3 | 4.35 | 2825 | 85.9 | 0.85 | 2.2 | 2.3 | 7.6 | 1.4 | 69 |
| IE3-100L-2 | 3.0 | 4 | 5.71 | 2840 | 87.1 | 0.87 | 2.2 | 2.3 | 7.8 | 1.4 | 76 |
| IE3-112M-2 | 4.0 | 5.5 | 7.45 | 2880 | 88.1 | 0.88 | 2.2 | 2.3 | 8.3 | 1.4 | 79 |
| IE3-132S1-2 | 5.5 | 7.5 | 10.1 | 2890 | 89.2 | 0.88 | 2.0 | 2.3 | 8.3 | 1.2 | 81 |
| IE3-132S2-2 | 7.5 | 10 | 13.7 | 2900 | 90.1 | 0.88 | 2.0 | 2.3 | 7.9 | 1.2 | 81 |
| IE3-160M1-2 | 11 | 15 | 19.6 | 2900 | 91.2 | 0.89 | 2.0 | 2.3 | 8.1 | 1.2 | 83 |
| IE3-160M2-2 | 15 | 20 | 26.5 | 2930 | 91.9 | 0.89 | 2.0 | 2.3 | 8.1 | 1.2 | 83 |
| IE3-160L-2 | 18.5 | 25 | 32.5 | 2930 | 92.4 | 0.89 | 2.0 | 2.3 | 8.2 | 1.1 | 83 |
| IE3-180M-2 | 22 | 30 | 38.5 | 2940 | 92.7 | 0.89 | 2.0 | 2.3 | 8.2 | 1.1 | 85 |
| IE3-200L1-2 | 30 | 40 | 52.1 | 2970 | 93.3 | 0.89 | 2.0 | 2.3 | 7.6 | 1.1 | 86 |
| IE3-200L2-2 | 37 | 50 | 64.0 | 2970 | 93.7 | 0.89 | 2.0 | 2.3 | 7.6 | 1.1 | 86 |
| IE3-225M-2 | 45 | 60 | 76.8 | 2970 | 94.0 | 0.90 | 2.0 | 2.3 | 7.7 | 1.0 | 88 |
| IE3-250M-2 | 55 | 75 | 93.5 | 2970 | 94.3 | 0.90 | 2.0 | 2.3 | 7.7 | 1.0 | 91 |
| IE3-280S-2 | 75 | 100 | 127 | 2970 | 94.7 | 0.90 | 1.8 | 2.3 | 7.1 | 0.9 | 93 |
| IE3-280M-2 | 90 | 125 | 152 | 2970 | 95.0 | 0.90 | 1.8 | 2.3 | 7.1 | 0.9 | 93 |
| IE3-315S-2 | 110 | 150 | 185 | 2970 | 95.2 | 0.90 | 1.8 | 2.3 | 7.1 | 0.9 | 94 |
| IE3-315M-2 | 132 | 180 | 224 | 2970 | 95.4 | 0.90 | 1.8 | 2.3 | 7.1 | 0.9 | 94 |
| IE3-315L1-2 | 160 | 220 | 265 | 2970 | 95.6 | 0.91 | 1.8 | 2.3 | 7.2 | 0.9 | 94 |
| IE3-315L2-2 | 200 | 270 | 331 | 2970 | 95.8 | 0.91 | 1.8 | 2.2 | 7.2 | 0.8 | 94 |
| IE3-355M-2 | 250 | 340 | 414 | 2970 | 95.8 | 0.91 | 1.6 | 2.2 | 7.2 | 0.8 | 102 |
| IE3-355L-2 | 315 | 430 | 522 | 2970 | 95.8 | 0.91 | 1.6 | 2.2 | 7.2 | 0.8 | 102 |
| 380V 50Hz 4极同步转速 Synchronous Speed 1500r/min(4Poles) | | | | | | | | | | | |
| IE3-80M2-4 | 0.75 | 1 | 1.75 | 1390 | 82.5 | 0.75 | 2.3 | 2.3 | 6.6 | 1.6 | 61 |
| IE3-90S-4 | 1.1 | 1.5 | 2.48 | 1390 | 84.1 | 0.76 | 2.3 | 2.3 | 6.8 | 1.6 | 64 |
| IE3-90L-4 | 1.5 | 2 | 3.30 | 1390 | 85.3 | 0.77 | 2.3 | 2.3 | 7.0 | 1.6 | 64 |
| IE3-100L1-4 | 2.2 | 3 | 4.52 | 1410 | 86.7 | 0.81 | 2.3 | 2.3 | 7.6 | 1.5 | 69 |
| IE3-100L2-4 | 3.0 | 4 | 6.02 | 1410 | 87.7 | 0.82 | 2.3 | 2.3 | 7.6 | 1.5 | 69 |
| IE3-112M-4 | 4.0 | 5.5 | 7.95 | 1435 | 88.6 | 0.82 | 2.2 | 2.3 | 7.8 | 1.5 | 70 |
| IE3-132S-4 | 5.5 | 7.5 | 10.7 | 1440 | 89.6 | 0.83 | 2.0 | 2.3 | 7.9 | 1.4 | 76 |
| IE3-132M-4 | 7.5 | 10 | 14.3 | 1440 | 90.4 | 0.84 | 2.0 | 2.3 | 7.5 | 1.4 | 76 |
| IE3-160M-4 | 11 | 15 | 20.4 | 1460 | 91.4 | 0.85 | 2.2 | 2.3 | 7.7 | 1.4 | 78 |
| IE3-160L-4 | 15 | 20 | 27.3 | 1460 | 92.1 | 0.86 | 2.2 | 2.3 | 7.8 | 1.4 | 77 |
| IE3-180M-4 | 18.5 | 25 | 33.5 | 1470 | 92.6 | 0.86 | 2.0 | 2.3 | 7.8 | 1.2 | 80 |
| IE3-180L-4 | 22 | 30 | 39.7 | 1470 | 93.0 | 0.86 | 2.0 | 2.3 | 7.8 | 1.2 | 80 |

| 型号 Type | 额定功率 Rated Power | | 额定电流 Rated Current (A) | 额定转速 Rated speed (r/min) | 效率 Efficiency η (%) | 功率因数 Power Factor (Cos Φ) | 堵转转矩 Locked-rotor torque | 最大转矩 Pull-out torque | 堵转电流 Locked-rotor current | 最小转矩 Minimum Torque | 噪声 Noise dB(A) |
|---|---------------------|-------|------------------------------|--------------------------------|--------------------------------|---------------------------------------|-------------------------------|---------------------------------|--------------------------------|---------------------------------|----------------------|
| | KW | HP | | | | | 额定转矩 Rated Torque Ts/Tn | 额定转矩 Rated torque Tmax/Tn | 额定电流 Rated Current Is/In | 额定转矩 Rated torque Tmax/Tn | |
| 380V 50Hz 4极同步转速 Synchronous Speed 1500r/min(4Poles) | | | | | | | | | | | |
| IE3-200L-4 | 30 | 40 | 53.8 | 1470 | 93.6 | 0.86 | 2.0 | 2.3 | 7.3 | 1.2 | 80 |
| IE3-225S-4 | 37 | 50 | 66.1 | 1475 | 93.9 | 0.86 | 2.0 | 2.3 | 7.4 | 1.2 | 81 |
| IE3-225M-4 | 45 | 60 | 80.2 | 1475 | 94.2 | 0.86 | 2.0 | 2.3 | 7.4 | 1.1 | 81 |
| IE3-250M-4 | 55 | 75 | 97.6 | 1480 | 94.6 | 0.86 | 2.2 | 2.3 | 7.4 | 1.1 | 82 |
| IE3-280S-4 | 75 | 100 | 129 | 1480 | 95.0 | 0.88 | 2.0 | 2.3 | 6.9 | 1.0 | 83 |
| IE3-280M-4 | 90 | 125 | 155 | 1480 | 95.2 | 0.88 | 2.0 | 2.3 | 6.9 | 1.0 | 83 |
| IE3-315S-4 | 110 | 150 | 187 | 1480 | 95.4 | 0.89 | 2.0 | 2.2 | 7.0 | 1.0 | 91 |
| IE3-315M-4 | 132 | 180 | 224 | 1480 | 95.6 | 0.89 | 2.0 | 2.2 | 7.0 | 1.0 | 91 |
| IE3-315L1-4 | 160 | 220 | 271 | 1480 | 95.8 | 0.89 | 2.0 | 2.2 | 7.1 | 1.0 | 91 |
| IE3-315L2-4 | 200 | 270 | 334 | 1480 | 96.0 | 0.90 | 2.0 | 2.2 | 7.1 | 0.9 | 91 |
| IE3-355M-4 | 250 | 340 | 418 | 1490 | 96.0 | 0.90 | 2.0 | 2.2 | 7.1 | 0.9 | 97 |
| IE3-355L-4 | 315 | 430 | 526 | 1490 | 96.0 | 0.90 | 2.0 | 2.2 | 7.1 | 0.8 | 97 |
| 380V 50Hz 6极同步转速 Synchronous Speed 1000r/min(6Poles) | | | | | | | | | | | |
| IE3-90S-6 | 0.75 | 1 | 1.93 | 910 | 78.9 | 0.71 | 2.0 | 2.1 | 6.0 | 1.5 | 64 |
| IE3-90L-6 | 1.1 | 1.5 | 2.69 | 910 | 81.0 | 0.73 | 2.0 | 2.1 | 6.0 | 1.3 | 64 |
| IE3-100L-6 | 1.5 | 2 | 3.60 | 920 | 82.5 | 0.73 | 2.0 | 2.1 | 6.5 | 1.3 | 68 |
| IE3-112M-6 | 2.2 | 3 | 5.09 | 935 | 84.3 | 0.74 | 2.0 | 2.1 | 6.6 | 1.3 | 72 |
| IE3-132S-6 | 3.0 | 4 | 6.84 | 960 | 85.6 | 0.74 | 2.0 | 2.1 | 6.8 | 1.3 | 76 |
| IE3-132M1-6 | 4.0 | 5.5 | 8.99 | 960 | 86.8 | 0.74 | 2.0 | 2.1 | 6.8 | 1.3 | 76 |
| IE3-132M2-6 | 5.5 | 7.5 | 12.0 | 960 | 88.0 | 0.75 | 2.0 | 2.1 | 7.0 | 1.3 | 76 |
| IE3-160M-6 | 7.5 | 10 | 15.4 | 970 | 89.1 | 0.79 | 2.0 | 2.1 | 7.0 | 1.3 | 80 |
| IE3-160L-6 | 11 | 15 | 22.0 | 970 | 90.3 | 0.80 | 2.0 | 2.1 | 7.2 | 1.2 | 80 |
| IE3-180L-6 | 15 | 20 | 29.3 | 970 | 91.2 | 0.81 | 2.0 | 2.1 | 7.3 | 1.2 | 79 |
| IE3-200L1-6 | 18.5 | 25 | 36.0 | 980 | 91.7 | 0.81 | 2.0 | 2.1 | 7.3 | 1.2 | 79 |
| IE3-200L2-6 | 22 | 30 | 42.5 | 980 | 92.2 | 0.81 | 2.0 | 2.1 | 7.4 | 1.2 | 79 |
| IE3-225M-6 | 30 | 40 | 56.2 | 985 | 92.9 | 0.83 | 2.0 | 2.1 | 6.9 | 1.2 | 80 |
| IE3-250M-6 | 37 | 50 | 68.1 | 980 | 93.3 | 0.84 | 2.0 | 2.1 | 7.1 | 1.2 | 82 |
| IE3-280S-6 | 45 | 60 | 81.6 | 980 | 93.7 | 0.85 | 2.0 | 2.0 | 7.3 | 1.1 | 84 |
| IE3-280M-6 | 55 | 75 | 98.1 | 980 | 94.1 | 0.86 | 2.0 | 2.0 | 7.3 | 1.1 | 84 |
| IE3-315S-6 | 75 | 100 | 136 | 985 | 94.6 | 0.84 | 2.0 | 2.0 | 6.6 | 1.0 | 88 |
| IE3-315M-6 | 90 | 125 | 161 | 985 | 94.9 | 0.85 | 2.0 | 2.0 | 6.7 | 1.0 | 88 |
| IE3-315L1-6 | 110 | 150 | 196 | 985 | 95.1 | 0.85 | 2.0 | 2.0 | 6.7 | 1.0 | 88 |
| IE3-315L2-6 | 132 | 180 | 232 | 985 | 95.4 | 0.86 | 2.0 | 2.0 | 6.8 | 1.0 | 88 |
| IE3-355M1-6 | 160 | 220 | 281 | 990 | 95.6 | 0.86 | 1.8 | 2.0 | 6.8 | 1.0 | 89 |
| IE3-355M2-6 | 200 | 270 | 346 | 990 | 95.8 | 0.87 | 1.8 | 2.0 | 6.8 | 0.9 | 89 |
| IE3-355L-6 | 250 | 340 | 433 | 990 | 95.8 | 0.87 | 1.8 | 2.0 | 6.8 | 0.9 | 89 |
| IE3-3552-6 | 315 | 580.9 | 552 | 990 | 95.8 | 0.86 | 1.8 | 2.0 | 6.8 | 0.8 | 95 |

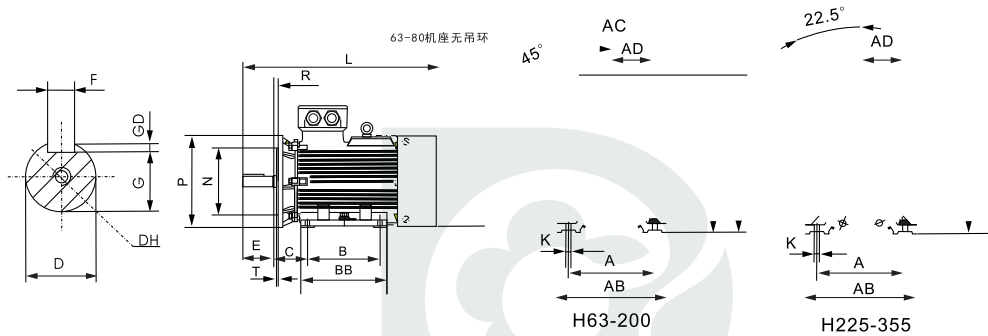


安装及外形尺寸 MOUNTING AND OVERALL DIMENSIONS

B3



B35



| 机座号 Frame Size | 极数 Poles | 安装尺寸 Mounting Dimensions | | | | | | | | | | | | | | | 凸缘孔数 | 外形尺寸 Overall Dimensions | | | | | | | |
|-------------------|-------------|--------------------------|-----|-----|----|-----|----|------|-----|-----|----|-----|-----|-----|---|----|------|-------------------------|-----|-----|-----|-----|------|------|--------|
| | | A | B | C | D | E | F | G | GD | H | K | M | N | P | R | S | | T | AB | AC | AD | BB | HD | L | DH |
| 80M | 2.4.6.8 | 125 | 100 | 50 | 19 | 40 | 6 | 15.5 | 3.5 | 80 | 10 | 165 | 130 | 200 | 0 | 12 | 3.5 | 4 | 165 | 165 | 180 | 130 | 320 | 320 | M6×16 |
| 90S | 2.4.6.8 | 140 | 100 | 56 | 24 | 50 | 8 | 20 | 4 | 90 | 12 | 165 | 130 | 200 | 0 | 12 | 3.5 | 4 | 180 | 180 | 180 | 135 | 350 | 370 | M8×19 |
| 90L | 2.4.6.8 | 140 | 125 | 56 | 24 | 50 | 8 | 20 | 4 | 90 | 12 | 165 | 130 | 200 | 0 | 12 | 3.5 | 4 | 180 | 180 | 180 | 160 | 350 | 395 | M8×19 |
| 100L | 2.4.6.8 | 160 | 140 | 63 | 28 | 60 | 8 | 24 | 4 | 100 | 12 | 215 | 180 | 250 | 0 | 15 | 4 | 4 | 200 | 205 | 180 | 180 | 400 | 448 | M10×22 |
| 112M | 2.4.6.8 | 190 | 140 | 70 | 28 | 60 | 8 | 24 | 4 | 112 | 12 | 215 | 180 | 250 | 0 | 15 | 4 | 4 | 245 | 230 | 200 | 180 | 420 | 500 | M10×22 |
| 132S | 2.4.6.8 | 216 | 140 | 89 | 38 | 80 | 10 | 33 | 5 | 132 | 15 | 265 | 230 | 300 | 0 | 15 | 4 | 4 | 280 | 270 | 200 | 190 | 450 | 550 | M12×28 |
| 132M | 2.4.6.8 | 216 | 178 | 89 | 38 | 80 | 10 | 33 | 5 | 132 | 15 | 265 | 230 | 300 | 0 | 15 | 4 | 4 | 280 | 270 | 200 | 230 | 450 | 600 | M12×28 |
| 160M | 2.4.6.8 | 254 | 210 | 108 | 42 | 110 | 12 | 37 | 5 | 160 | 15 | 300 | 250 | 350 | 0 | 19 | 5 | 4 | 330 | 325 | 220 | 260 | 520 | 720 | M16×36 |
| 160L | 2.4.6.8 | 254 | 254 | 108 | 42 | 110 | 12 | 37 | 5 | 160 | 15 | 300 | 250 | 350 | 0 | 19 | 5 | 4 | 330 | 325 | 220 | 310 | 520 | 750 | M16×36 |
| 180M | 2.4.6.8 | 279 | 241 | 121 | 48 | 110 | 14 | 42.5 | 5.5 | 180 | 19 | 300 | 250 | 350 | 0 | 19 | 5 | 4 | 355 | 360 | 220 | 241 | 550 | 771 | M16×36 |
| 180L | 2.4.6.8 | 279 | 279 | 121 | 48 | 110 | 14 | 42.5 | 5.5 | 180 | 19 | 300 | 250 | 350 | 0 | 19 | 5 | 4 | 355 | 360 | 220 | 279 | 550 | 791 | M16×36 |
| 200L | 2.4.6.8 | 318 | 305 | 133 | 55 | 110 | 16 | 49 | 6 | 200 | 19 | 350 | 300 | 400 | 0 | 19 | 5 | 4 | 390 | 400 | 250 | 370 | 645 | 840 | M20×42 |
| 225S | 4.8 | 356 | 286 | 149 | 60 | 140 | 18 | 53 | 7 | 225 | 19 | 400 | 350 | 450 | 0 | 19 | 5 | 8 | 435 | 450 | 250 | 355 | 690 | 888 | M20×42 |
| 225M | 2 | 356 | 311 | 149 | 55 | 110 | 16 | 49 | 6 | 225 | 19 | 400 | 350 | 450 | 0 | 19 | 5 | 8 | 435 | 450 | 250 | 380 | 690 | 918 | M20×42 |
| | 4.6.8 | 356 | 311 | 149 | 60 | 140 | 18 | 53 | 7 | 225 | 19 | 400 | 350 | 450 | 0 | 19 | 5 | 8 | 435 | 450 | 250 | 380 | 690 | 918 | M20×42 |
| 250M | 2 | 406 | 349 | 168 | 60 | 140 | 18 | 53 | 7 | 250 | 24 | 500 | 450 | 550 | 0 | 19 | 5 | 8 | 490 | 500 | 300 | 420 | 730 | 965 | M20×42 |
| | 4.6.8 | 406 | 349 | 168 | 65 | 140 | 18 | 58 | 7 | 250 | 24 | 500 | 450 | 550 | 0 | 19 | 5 | 8 | 490 | 500 | 300 | 420 | 730 | 965 | M20×42 |
| 280S | 2 | 457 | 368 | 190 | 65 | 140 | 18 | 58 | 7 | 280 | 24 | 500 | 450 | 550 | 0 | 19 | 5 | 8 | 545 | 565 | 300 | 440 | 810 | 1007 | M20×42 |
| | 4.6.8 | 457 | 368 | 190 | 75 | 140 | 20 | 67.5 | 7.5 | 280 | 24 | 500 | 450 | 550 | 0 | 19 | 5 | 8 | 545 | 565 | 300 | 440 | 810 | 1007 | M20×42 |
| 280M | 2 | 457 | 419 | 190 | 65 | 140 | 18 | 58 | 7 | 280 | 24 | 500 | 450 | 550 | 0 | 19 | 5 | 8 | 545 | 565 | 300 | 490 | 810 | 1072 | M20×42 |
| | 4.6.8 | 457 | 419 | 190 | 75 | 140 | 20 | 67.5 | 7.5 | 280 | 24 | 500 | 450 | 550 | 0 | 19 | 5 | 8 | 545 | 565 | 300 | 490 | 810 | 1072 | M20×42 |
| 315S | 2 | 508 | 406 | 216 | 65 | 140 | 18 | 58 | 7 | 315 | 28 | 600 | 550 | 660 | 0 | 24 | 6 | 8 | 640 | 630 | 400 | 570 | 1020 | 1185 | M20×42 |
| | 4.6.8.10 | 508 | 406 | 216 | 80 | 170 | 22 | 71 | 9 | 315 | 28 | 600 | 550 | 660 | 0 | 24 | 6 | 8 | 640 | 630 | 400 | 570 | 1020 | 1185 | M20×42 |
| 315M | 2 | 508 | 457 | 216 | 65 | 140 | 18 | 58 | 7 | 315 | 28 | 600 | 550 | 660 | 0 | 24 | 6 | 8 | 640 | 630 | 400 | 680 | 1020 | 1305 | M20×42 |
| | 4.6.8.10 | 508 | 457 | 216 | 80 | 170 | 22 | 71 | 9 | 315 | 28 | 600 | 550 | 660 | 0 | 24 | 6 | 8 | 640 | 630 | 400 | 680 | 1020 | 1305 | M20×42 |
| 315L | 2 | 508 | 508 | 216 | 65 | 140 | 18 | 58 | 7 | 315 | 28 | 600 | 550 | 660 | 0 | 24 | 6 | 8 | 640 | 630 | 400 | 680 | 1020 | 1305 | M20×42 |
| | 4.6.8.10 | 508 | 508 | 216 | 80 | 170 | 22 | 71 | 9 | 315 | 28 | 600 | 550 | 660 | 0 | 24 | 6 | 8 | 640 | 630 | 400 | 680 | 1020 | 1305 | M20×42 |
| 355S | 2 | 610 | 500 | 254 | 75 | 140 | 20 | 67.5 | 7.5 | 355 | 28 | 740 | 680 | 800 | 0 | 24 | 6 | 8 | 740 | 750 | 500 | 640 | 1080 | 1415 | M20×42 |
| | 4.6.8.10 | 610 | 500 | 254 | 95 | 170 | 25 | 86 | 9 | 355 | 28 | 740 | 680 | 800 | 0 | 24 | 6 | 8 | 740 | 750 | 500 | 640 | 1080 | 1415 | M24×50 |
| 355M | 2 | 610 | 560 | 254 | 75 | 140 | 20 | 67.5 | 7.5 | 355 | 28 | 740 | 680 | 800 | 0 | 24 | 6 | 8 | 740 | 750 | 500 | 700 | 1080 | 1495 | M20×42 |
| | 4.6.8.10 | 610 | 560 | 254 | 95 | 170 | 25 | 86 | 9 | 355 | 28 | 740 | 680 | 800 | 0 | 24 | 6 | 8 | 740 | 750 | 500 | 700 | 1080 | 1495 | M24×50 |
| 355L | 2 | 610 | 630 | 254 | 75 | 140 | 20 | 67.5 | 7.5 | 355 | 28 | 740 | 680 | 800 | 0 | 24 | 6 | 8 | 740 | 750 | 500 | 770 | 1080 | 1645 | M20×42 |
| | 4.6.8.10 | 610 | 630 | 254 | 95 | 170 | 25 | 86 | 9 | 355 | 28 | 740 | 680 | 800 | 0 | 24 | 6 | 8 | 740 | 750 | 500 | 770 | 1080 | 1645 | M24×50 |