

# IE2 SERIES

## IE2系列三相异步电动机

IE2 SERIES THREE-PHASE INDUCTION MOTOR



### 特点 FEATURES

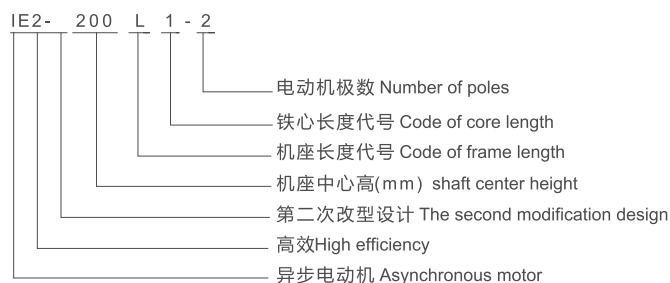
IE2系列三相异步电机是采用新技术、新材料最新开发的系列产品，是Y，Y2系列电机的升级换代产物。IE2系列电机全部采用国际电机行业流行的冷轧硅钢片为新磁性材料，系全封闭，外扇冷式鼠笼型结构，具有效率高（效率达到欧洲EFF标准）噪音低，转矩高，起动性好、结构紧凑、使用维护方便等特点。整机采用F级绝缘，且按国际惯例的绝缘结构式评定方法设计，从而提高了整机的安全可靠。防护等级达到了IP55。达到了国外同类产品的先进水平，是节能型的新产品。IE2系列电机可广泛应用于机床、风机、水泵、减速机、压缩机和交通运输，农业机械，食品加工、包装各类机械传动设备。

IE2 Series high-efficiency three-phase asynchronous motor is based on the latest energy efficiency rating of IEC60034-30 standard and IEC60034-2 rotating electrical machines Part 2 "losses and efficiency of rotating electrical test measurement method". The advanced technologies, process control, and our many years' production experience which can ensure the efficiency reaching into the target level of IE2 standard; This series motor is noted for their novel design, high efficiency, energy-saving, beautiful modeling, low noise, high efficiency, compact structure, convenient maintenance and so on. The motor with Class F insulation, temperature rise by the full range of B-class assessment are greatly enhance the safety and reliability. Mounting dimensions comply with IEC standard, the protection degree is Ip55. IE2 series motors can be widely used for driving equipment of various machineries, such as: machine tools, blowers, pumps, compressors, Packaging machinery, mine machinery, construction machinery.

### 使用条件 OPERATING CONDITIONS

环境温度:  $-15^{\circ}\text{C} \sim 40^{\circ}\text{C}$   
 海拔: 不超过1000m  
 额定电压: 380V, 400V, 415V, 440V, 660V  
 额定频率: 50HZ, 60HZ  
 接法: 3KW及以下规格为星形接法,  
 4KW及以上规格为三角接法  
 工作方法: S1  
 绝缘等级: F, 绕组温升按80K考核  
 防护等级: IP55  
 冷却方式: IC411  
 Ambient temperature:  $-15^{\circ}\text{C} \sim 40^{\circ}\text{C}$   
 Altitude: not exceeding 1000meters above sea level.  
 Rated voltage: 380V/400V/415/440V/660V  
 Rated frequency: 50Hz or 60Hz.  
 Connection: Star-connection for 3KW or less,  
 delta-connection for 4KW or more.  
 Duty/Rating: Continuous (S1).  
 Insulation class: F,  
 Protection class: IP55  
 Cooling method: IC411

### 代号说明 EXPLANATION OF TYPE DESIGNATION



| 型号<br>Type  | 额定功率<br>Rated power |     | 额定电流<br>Rated Current<br>(A) | 额定转速<br>Rated Speed<br>(r/min) | 效率<br>Efficiency<br>$\eta$ (%) | 功率因数<br>Power Factor<br>(Cos $\Phi$ ) | 堵转电流                 | 堵转转矩                | 最大转矩            | 最小转矩           | 噪音<br>Noise<br>dB(A) |
|---|---------------------|-----|------------------------------|--------------------------------|--------------------------------|---------------------------------------|----------------------|---------------------|-----------------|----------------|----------------------|
|   | KW                  | HP  |                              |                                |                                |                                       | Locked-rotor current | Locked-rotor torque | Pull-out torque | Minimum Torque |                      |
| 380V 50Hz 2极同步转速 Synchronous Speed 3000r/min (2Poles) |                     |     |                              |                                |                                |                                       |                      |                     |                 |                |                      |
| IE2-80M1-2  | 0.75                | 1   | 1.7                          | 2840                           | 77.4                           | 0.82                                  | 6.8                  | 2.3                 | 2.3             | 1.5            | 64                   |
| IE2-80M2-2  | 1.1                 | 1.5 | 2.4                          | 2840                           | 79.6                           | 0.83                                  | 7.1                  | 2.3                 | 2.3             | 1.5            | 64                   |
| IE2-90S-2   | 1.5                 | 2   | 3.2                          | 2840                           | 81.3                           | 0.84                                  | 7.3                  | 2.3                 | 2.3             | 1.5            | 69                   |
| IE2-90L-2   | 2.2                 | 3   | 4.5                          | 2840                           | 83.2                           | 0.85                                  | 7.6                  | 2.3                 | 2.3             | 1.4            | 69                   |
| IE2-100L-2  | 3                   | 4   | 5.9                          | 2860                           | 84.6                           | 0.87                                  | 7.8                  | 2.2                 | 2.3             | 1.4            | 76                   |
| IE2-112M-2  | 4                   | 5.5 | 7.6                          | 2880                           | 85.8                           | 0.88                                  | 8.1                  | 2.2                 | 2.3             | 1.4            | 79                   |
| IE2-132S1-2   | 5.5                 | 7.5 | 10.4                         | 2910                           | 87.0                           | 0.88                                  | 8.2                  | 2.2                 | 2.3             | 1.2            | 81                   |
| IE2-132S2-2   | 7.5                 | 10  | 13.8                         | 2910                           | 88.1                           | 0.89                                  | 7.8                  | 2.2                 | 2.3             | 1.2            | 81                   |
| IE2-160M1-2   | 11                  | 15  | 20.0                         | 2920                           | 89.4                           | 0.89                                  | 7.9                  | 2.2                 | 2.3             | 1.2            | 83                   |
| IE2-160M2-2   | 15                  | 20  | 26.9                         | 2920                           | 90.3                           | 0.89                                  | 7.9                  | 2.2                 | 2.3             | 1.2            | 83                   |
| IE2-160L-2  | 18.5                | 25  | 33.0                         | 2920                           | 90.9                           | 0.89                                  | 8.0                  | 2.2                 | 2.3             | 1.1            | 83                   |
| IE2-180M-2  | 22                  | 30  | 39.1                         | 2930                           | 91.3                           | 0.89                                  | 8.1                  | 2.2                 | 2.3             | 1.1            | 85                   |
| IE2-200L1-2   | 30                  | 40  | 52.9                         | 2940                           | 92.0                           | 0.89                                  | 7.5                  | 2.0                 | 2.3             | 1.1            | 86                   |
| IE2-200L2-2   | 37                  | 50  | 64.9                         | 2960                           | 92.5                           | 0.89                                  | 7.5                  | 2.0                 | 2.3             | 1.1            | 86                   |
| IE2-225M-2  | 45                  | 60  | 78.6                         | 2960                           | 92.9                           | 0.89                                  | 7.5                  | 2.2                 | 2.3             | 1.0            | 88                   |
| IE2-250M-2  | 55                  | 75  | 96                           | 2960                           | 93.2                           | 0.89                                  | 7.6                  | 2.2                 | 2.3             | 1.0            | 91                   |
| IE2-280S-2  | 75                  | 100 | 130                          | 2960                           | 93.8                           | 0.89                                  | 6.9                  | 1.8                 | 2.3             | 0.9            | 93                   |
| IE2-280M-2  | 90                  | 125 | 155                          | 2960                           | 94.1                           | 0.89                                  | 6.9                  | 1.8                 | 2.3             | 0.9            | 93                   |
| IE2-315S-2  | 110                 | 150 | 187                          | 2970                           | 94.3                           | 0.90                                  | 7.0                  | 1.8                 | 2.2             | 0.9            | 94                   |
| IE2-315M-2  | 132                 | 180 | 224                          | 2970                           | 94.6                           | 0.90                                  | 7.0                  | 1.8                 | 2.2             | 0.9            | 94                   |
| IE2-315L1-2   | 160                 | 220 | 268                          | 2970                           | 94.8                           | 0.91                                  | 7.1                  | 1.8                 | 2.2             | 0.9            | 94                   |
| IE2-315L2-2   | 200                 | 270 | 334                          | 2970                           | 95.0                           | 0.91                                  | 7.1                  | 1.8                 | 2.2             | 0.8            | 94                   |
| IE2-355M-2  | 250                 | 340 | 418                          | 2970                           | 95.0                           | 0.91                                  | 7.1                  | 1.6                 | 2.2             | 0.8            | 102                  |
| IE2-355L-2  | 315                 | 420 | 526                          | 2970                           | 95.0                           | 0.91                                  | 7.2                  | 1.6                 | 2.2             | 0.8            | 102                  |
| 380V 50Hz 4极同步转速 Synchronous Speed 1500r/min(4Poles)  |                     |     |                              |                                |                                |                                       |                      |                     |                 |                |                      |
| IE2-80M2-4  | 0.75                | 1   | 1.8                          | 1390                           | 79.6                           | 0.76                                  | 6.4                  | 2.3                 | 2.3             | 1.6            | 61                   |
| IE2-90S-4   | 1.1                 | 1.5 | 2.6                          | 1390                           | 81.4                           | 0.77                                  | 6.6                  | 2.3                 | 2.3             | 1.6            | 64                   |
| IE2-90L-4   | 1.5                 | 2   | 3.5                          | 1390                           | 82.8                           | 0.78                                  | 6.7                  | 2.3                 | 2.3             | 1.6            | 64                   |
| IE2-100L1-4   | 2.2                 | 3   | 4.7                          | 1410                           | 84.3                           | 0.80                                  | 7.3                  | 2.3                 | 2.3             | 1.5            | 69                   |
| IE2-100L2-4   | 3                   | 4   | 6.2                          | 1410                           | 85.5                           | 0.81                                  | 7.5                  | 2.3                 | 2.3             | 1.5            | 69                   |
| IE2-112M-4  | 4                   | 5.5 | 8.1                          | 1435                           | 86.6                           | 0.81                                  | 7.5                  | 2.3                 | 2.3             | 1.5            | 70                   |
| IE2-132S-4  | 5.5                 | 7.5 | 11.1                         | 1440                           | 87.7                           | 0.82                                  | 7.5                  | 2.0                 | 2.3             | 1.4            | 76                   |
| IE2-132M-4  | 7.5                 | 10  | 14.7                         | 1440                           | 88.7                           | 0.83                                  | 7.3                  | 2.0                 | 2.3             | 1.4            | 76                   |
| IE2-160M-4  | 11                  | 15  | 21.3                         | 1460                           | 89.8                           | 0.83                                  | 7.4                  | 2.0                 | 2.3             | 1.4            | 78                   |
| IE2-160L-4  | 15                  | 20  | 28.4                         | 1460                           | 90.6                           | 0.84                                  | 7.5                  | 2.0                 | 2.3             | 1.4            | 78                   |
| IE2-180M-4  | 18.5                | 25  | 34.4                         | 1470                           | 91.2                           | 0.85                                  | 7.6                  | 2.0                 | 2.3             | 1.2            | 80                   |

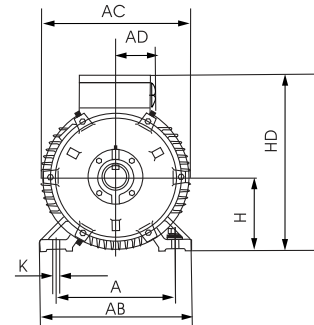
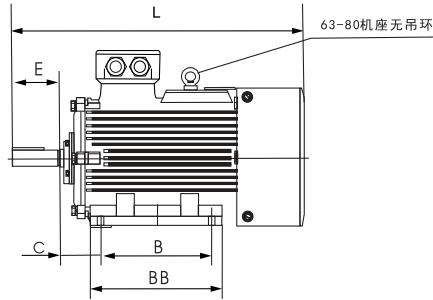
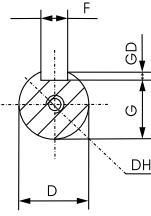
| 型号<br>Type  | 额定功率<br>Rated power |     | 额定电流<br>Rated Current<br>(A) | 额定转速<br>Rated Speed<br>(r/min) | 效率<br>Efficiency<br>$\eta$ (%) | 功率因数<br>Power Factor<br>(Cos $\Phi$ ) | 堵转电流<br>Locked-rotor current   | 堵转转矩<br>Locked-rotor torque    | 最大转矩<br>Pull-out torque         | 最小转矩<br>Minimum Torque          | 噪音<br>Noise<br>dB(A) |
|---|---------------------|-----|------------------------------|--------------------------------|--------------------------------|---------------------------------------|--------------------------------|--------------------------------|---------------------------------|---------------------------------|----------------------|
|   | KW                  | HP  |                              |                                |                                |                                       | 额定电流<br>Rated Current<br>Is/In | 额定转矩<br>Rated Torque<br>Tst/Tn | 额定转矩<br>Rated torque<br>Tmax/Tn | 额定转矩<br>Rated torque<br>Tmax/Tn |                      |
| <b>380V 50Hz 4极同步转速 Synchronous Speed 1500r/min(4Poles)</b> |                     |     |                              |                                |                                |                                       |                                |                                |                                 |                                 |                      |
| IE2-180L-4  | 22                  | 30  | 40.8                         | 1470                           | 91.6                           | 0.85                                  | 7.7                            | 2.1                            | 2.3                             | 1.2                             | 80                   |
| IE2-200L-4  | 30                  | 40  | 55.2                         | 1470                           | 92.3                           | 0.85                                  | 7.1                            | 2.1                            | 2.3                             | 1.2                             | 80                   |
| IE2-225S-4  | 37                  | 50  | 67.0                         | 1475                           | 92.7                           | 0.86                                  | 7.3                            | 2.1                            | 2.3                             | 1.2                             | 81                   |
| IE2-225M-4  | 45                  | 60  | 81.1                         | 1475                           | 93.1                           | 0.86                                  | 7.3                            | 2.2                            | 2.3                             | 1.1                             | 81                   |
| IE2-250M-4  | 55                  | 75  | 99                           | 1480                           | 93.5                           | 0.86                                  | 7.3                            | 2.2                            | 2.3                             | 1.1                             | 82                   |
| IE2-280S-4  | 75                  | 100 | 132                          | 1480                           | 94.0                           | 0.87                                  | 6.8                            | 2.2                            | 2.3                             | 1.0                             | 83                   |
| IE2-280M-4  | 90                  | 125 | 157                          | 1480                           | 94.2                           | 0.88                                  | 6.9                            | 2.2                            | 2.3                             | 1.0                             | 83                   |
| IE2-315S-4  | 110                 | 150 | 189                          | 1480                           | 94.5                           | 0.89                                  | 6.9                            | 2.1                            | 2.2                             | 1.0                             | 91                   |
| IE2-315M-4  | 132                 | 180 | 226                          | 1480                           | 94.7                           | 0.89                                  | 6.9                            | 2.1                            | 2.2                             | 1.0                             | 91                   |
| IE2-315L1-4   | 160                 | 220 | 270                          | 1480                           | 94.9                           | 0.90                                  | 6.9                            | 2.1                            | 2.2                             | 1.0                             | 91                   |
| IE2-315L2-4   | 200                 | 270 | 337                          | 1480                           | 95.1                           | 0.90                                  | 6.9                            | 2.1                            | 2.2                             | 0.9                             | 91                   |
| IE2-355M-4  | 250                 | 340 | 422                          | 1490                           | 95.1                           | 0.90                                  | 6.9                            | 2.0                            | 2.2                             | 0.9                             | 97                   |
| IE2-355L-4  | 315                 | 420 | 531                          | 1490                           | 95.1                           | 0.90                                  | 6.9                            | 2.0                            | 2.2                             | 0.8                             | 97                   |
| <b>380V 50Hz 6极同步转速 Synchronous Speed 1000r/min(6Poles)</b> |                     |     |                              |                                |                                |                                       |                                |                                |                                 |                                 |                      |
| IE2-90S-6   | 0.75                | 1   | 2.0                          | 910                            | 75.9                           | 0.71                                  | 5.8                            | 2.0                            | 2.1                             | 1.5                             | 64                   |
| IE2-90L-6   | 1.1                 | 1.5 | 2.8                          | 910                            | 78.1                           | 0.72                                  | 5.9                            | 2.0                            | 2.1                             | 1.3                             | 64                   |
| IE2-100L-6  | 1.5                 | 2   | 3.7                          | 920                            | 79.8                           | 0.72                                  | 5.9                            | 2.0                            | 2.1                             | 1.3                             | 68                   |
| IE2-112M-6  | 2.2                 | 3   | 5.4                          | 935                            | 81.8                           | 0.72                                  | 6.2                            | 2.0                            | 2.1                             | 1.3                             | 72                   |
| IE2-132S-6  | 3.0                 | 4   | 7.1                          | 960                            | 83.3                           | 0.72                                  | 6.4                            | 2.0                            | 2.1                             | 1.3                             | 76                   |
| IE2-132M1-6   | 4.0                 | 5.5 | 9.2                          | 960                            | 84.6                           | 0.74                                  | 6.6                            | 2.0                            | 2.1                             | 1.3                             | 76                   |
| IE2-132M2-6   | 5.5                 | 7.5 | 12.3                         | 960                            | 86.0                           | 0.75                                  | 6.8                            | 2.0                            | 2.1                             | 1.3                             | 76                   |
| IE2-160M-6  | 7.5                 | 10  | 15.9                         | 970                            | 87.2                           | 0.78                                  | 6.8                            | 2.0                            | 2.1                             | 1.3                             | 80                   |
| IE2-160L-6  | 11                  | 15  | 22.7                         | 970                            | 88.7                           | 0.79                                  | 6.9                            | 2.0                            | 2.1                             | 1.2                             | 80                   |
| IE2-180L-6  | 15                  | 20  | 29.8                         | 970                            | 89.7                           | 0.82                                  | 7.3                            | 2.0                            | 2.1                             | 1.2                             | 79                   |
| IE2-200L1-6   | 18.5                | 25  | 36.5                         | 980                            | 90.4                           | 0.80                                  | 7.2                            | 2.0                            | 2.1                             | 1.2                             | 79                   |
| IE2-200L2-6   | 22                  | 30  | 43.1                         | 980                            | 90.9                           | 0.81                                  | 7.3                            | 2.0                            | 2.1                             | 1.2                             | 79                   |
| IE2-225M-6  | 30                  | 40  | 57.6                         | 985                            | 91.7                           | 0.82                                  | 6.8                            | 2.0                            | 2.1                             | 1.2                             | 80                   |
| IE2-250M-6  | 37                  | 50  | 69.8                         | 980                            | 92.2                           | 0.83                                  | 7.0                            | 2.0                            | 2.1                             | 1.2                             | 82                   |
| IE2-280S-6  | 45                  | 60  | 82                           | 980                            | 92.7                           | 0.85                                  | 7.2                            | 2.0                            | 2.0                             | 1.1                             | 83                   |
| IE2-280M-6  | 55                  | 75  | 100                          | 980                            | 93.1                           | 0.86                                  | 7.2                            | 2.0                            | 2.0                             | 1.1                             | 83                   |
| IE2-315S-6  | 75                  | 100 | 136                          | 985                            | 93.7                           | 0.84                                  | 6.5                            | 2.0                            | 2.0                             | 1.0                             | 88                   |
| IE2-315M-6  | 90                  | 125 | 163                          | 985                            | 94.0                           | 0.85                                  | 6.6                            | 2.0                            | 2.0                             | 1.0                             | 88                   |
| IE2-315L1-6   | 110                 | 150 | 198                          | 985                            | 94.3                           | 0.85                                  | 6.6                            | 2.0                            | 2.0                             | 1.0                             | 88                   |
| IE2-315L2-6   | 132                 | 180 | 234                          | 985                            | 94.6                           | 0.86                                  | 6.6                            | 2.0                            | 2.0                             | 1.0                             | 88                   |
| IE2-355M1-6   | 160                 | 220 | 283                          | 990                            | 94.8                           | 0.86                                  | 6.7                            | 2.0                            | 2.0                             | 1.0                             | 89                   |
| IE2-355M2-6   | 200                 | 270 | 353                          | 990                            | 95.0                           | 0.86                                  | 6.8                            | 2.0                            | 2.0                             | 0.9                             | 89                   |
| IE2-355L-6  | 250                 | 340 | 442                          | 990                            | 95.0                           | 0.86                                  | 6.8                            | 2.0                            | 2.0                             | 0.9                             | 89                   |



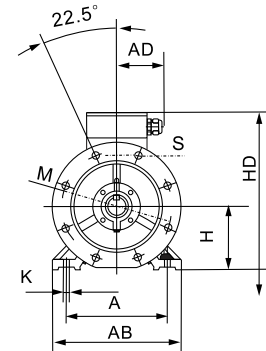
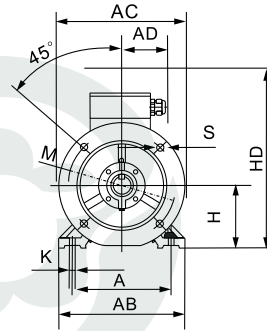
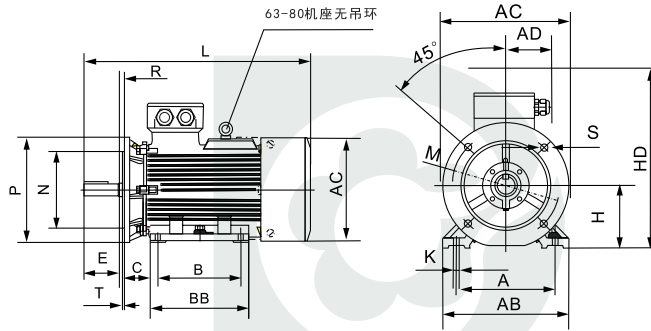
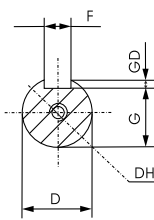
DONGCHUN

安装及外形尺寸 MOUNTING AND OVERALL DIMENSIONS

B3



B35



H63-200

H225-355

| 机座号<br>Frame Size | 极数<br>Poles | 安装尺寸 Mounting Dimensions |     |     |    |     |    |      |     |     |    |     |     |     |   |    | 凸缘<br>孔数 | 外形尺寸 Overall Dimensions |     |     |     |     |      |      |          |
|-------------------|-------------|--------------------------|-----|-----|----|-----|----|------|-----|-----|----|-----|-----|-----|---|----|----------|-------------------------|-----|-----|-----|-----|------|------|----------|
|                   |             | A                        | B   | C   | D  | E   | F  | G    | GD  | H   | K  | M   | N   | P   | R | S  |          | T                       | AB  | AC  | AD  | BB  | HD   | L    | DH       |
| 80M               | 2.4.6.8     | 125                      | 100 | 50  | 19 | 40  | 6  | 15.5 | 3.5 | 80  | 10 | 165 | 130 | 200 | 0 | 12 | 3.5      | 4                       | 165 | 165 | 180 | 130 | 320  | 320  | M6 × 16  |
| 90S               | 2.4.6.8     | 140                      | 100 | 56  | 24 | 50  | 8  | 20   | 4   | 90  | 12 | 165 | 130 | 200 | 0 | 12 | 3.5      | 4                       | 180 | 180 | 180 | 135 | 350  | 370  | M8 × 19  |
| 90L               | 2.4.6.8     | 140                      | 125 | 56  | 24 | 50  | 8  | 20   | 4   | 90  | 12 | 165 | 130 | 200 | 0 | 12 | 3.5      | 4                       | 180 | 180 | 180 | 160 | 350  | 395  | M8 × 19  |
| 100L              | 2.4.6.8     | 160                      | 140 | 63  | 28 | 60  | 8  | 24   | 4   | 100 | 12 | 215 | 180 | 250 | 0 | 15 | 4        | 4                       | 200 | 205 | 180 | 180 | 400  | 448  | M10 × 22 |
| 112M              | 2.4.6.8     | 190                      | 140 | 70  | 28 | 60  | 8  | 24   | 4   | 112 | 12 | 215 | 180 | 250 | 0 | 15 | 4        | 4                       | 245 | 230 | 200 | 180 | 420  | 500  | M10 × 22 |
| 132S              | 2.4.6.8     | 216                      | 140 | 89  | 38 | 80  | 10 | 33   | 5   | 132 | 15 | 265 | 230 | 300 | 0 | 15 | 4        | 4                       | 280 | 270 | 200 | 190 | 450  | 550  | M12 × 28 |
| 132M              | 2.4.6.8     | 216                      | 178 | 89  | 38 | 80  | 10 | 33   | 5   | 132 | 15 | 265 | 230 | 300 | 0 | 15 | 4        | 4                       | 280 | 270 | 200 | 230 | 450  | 600  | M12 × 28 |
| 160M              | 2.4.6.8     | 254                      | 210 | 108 | 42 | 110 | 12 | 37   | 5   | 160 | 15 | 300 | 250 | 350 | 0 | 19 | 5        | 4                       | 330 | 325 | 220 | 260 | 520  | 720  | M16 × 36 |
| 160L              | 2.4.6.8     | 254                      | 254 | 108 | 42 | 110 | 12 | 37   | 5   | 160 | 15 | 300 | 250 | 350 | 0 | 19 | 5        | 4                       | 330 | 325 | 220 | 310 | 520  | 750  | M16 × 36 |
| 180M              | 2.4.6.8     | 279                      | 241 | 121 | 48 | 110 | 14 | 42.5 | 5.5 | 180 | 19 | 300 | 250 | 350 | 0 | 19 | 5        | 4                       | 355 | 360 | 220 | 241 | 550  | 771  | M16 × 36 |
| 180L              | 2.4.6.8     | 279                      | 279 | 121 | 48 | 110 | 14 | 42.5 | 5.5 | 180 | 19 | 300 | 250 | 350 | 0 | 19 | 5        | 4                       | 355 | 360 | 220 | 279 | 550  | 791  | M16 × 36 |
| 200L              | 2.4.6.8     | 318                      | 305 | 133 | 55 | 110 | 16 | 49   | 6   | 200 | 19 | 350 | 300 | 400 | 0 | 19 | 5        | 4                       | 390 | 400 | 250 | 370 | 645  | 840  | M20 × 42 |
| 225S              | 4.8         | 356                      | 286 | 149 | 60 | 140 | 18 | 53   | 7   | 225 | 19 | 400 | 350 | 450 | 0 | 19 | 5        | 8                       | 435 | 450 | 250 | 355 | 690  | 888  | M20 × 42 |
| 225M              | 2           | 356                      | 311 | 149 | 55 | 110 | 16 | 49   | 6   | 225 | 19 | 400 | 350 | 450 | 0 | 19 | 5        | 8                       | 435 | 450 | 250 | 380 | 690  | 918  | M20 × 42 |
|                   | 4.6.8       | 356                      | 311 | 149 | 60 | 140 | 18 | 53   | 7   | 225 | 19 | 400 | 350 | 450 | 0 | 19 | 5        | 8                       | 435 | 450 | 250 | 380 | 690  | 918  | M20 × 42 |
| 250M              | 2           | 406                      | 349 | 168 | 60 | 140 | 18 | 53   | 7   | 250 | 24 | 500 | 450 | 550 | 0 | 19 | 5        | 8                       | 490 | 500 | 300 | 420 | 730  | 965  | M20 × 42 |
|                   | 4.6.8       | 406                      | 349 | 168 | 65 | 140 | 18 | 58   | 7   | 250 | 24 | 500 | 450 | 550 | 0 | 19 | 5        | 8                       | 490 | 500 | 300 | 420 | 730  | 965  | M20 × 42 |
| 280S              | 2           | 457                      | 368 | 190 | 65 | 140 | 18 | 58   | 7   | 280 | 24 | 500 | 450 | 550 | 0 | 19 | 5        | 8                       | 545 | 565 | 300 | 440 | 810  | 1007 | M20 × 42 |
|                   | 4.6.8       | 457                      | 368 | 190 | 75 | 140 | 20 | 67.5 | 7.5 | 280 | 24 | 500 | 450 | 550 | 0 | 19 | 5        | 8                       | 545 | 565 | 300 | 440 | 810  | 1007 | M20 × 42 |
| 280M              | 2           | 457                      | 419 | 190 | 65 | 140 | 18 | 58   | 7   | 280 | 24 | 500 | 450 | 550 | 0 | 19 | 5        | 8                       | 545 | 565 | 300 | 490 | 810  | 1072 | M20 × 42 |
|                   | 4.6.8       | 457                      | 419 | 190 | 75 | 140 | 20 | 67.5 | 7.5 | 280 | 24 | 500 | 450 | 550 | 0 | 19 | 5        | 8                       | 545 | 565 | 300 | 490 | 810  | 1072 | M20 × 42 |
| 315S              | 2           | 508                      | 406 | 216 | 65 | 140 | 18 | 58   | 7   | 315 | 28 | 600 | 550 | 660 | 0 | 24 | 6        | 8                       | 640 | 630 | 400 | 570 | 1020 | 1185 | M20 × 42 |
|                   | 4.6.8.10    | 508                      | 406 | 216 | 80 | 170 | 22 | 71   | 9   | 315 | 28 | 600 | 550 | 660 | 0 | 24 | 6        | 8                       | 640 | 630 | 400 | 570 | 1020 | 1185 | M20 × 42 |
| 315M              | 2           | 508                      | 457 | 216 | 65 | 140 | 18 | 58   | 7   | 315 | 28 | 600 | 550 | 660 | 0 | 24 | 6        | 8                       | 640 | 630 | 400 | 680 | 1020 | 1305 | M20 × 42 |
|                   | 4.6.8.10    | 508                      | 457 | 216 | 80 | 170 | 22 | 71   | 9   | 315 | 28 | 600 | 550 | 660 | 0 | 24 | 6        | 8                       | 640 | 630 | 400 | 680 | 1020 | 1305 | M20 × 42 |
| 315L              | 2           | 508                      | 508 | 216 | 65 | 140 | 18 | 58   | 7   | 315 | 28 | 600 | 550 | 660 | 0 | 24 | 6        | 8                       | 640 | 630 | 400 | 680 | 1020 | 1305 | M20 × 42 |
|                   | 4.6.8.10    | 508                      | 508 | 216 | 80 | 170 | 22 | 71   | 9   | 315 | 28 | 600 | 550 | 660 | 0 | 24 | 6        | 8                       | 640 | 630 | 400 | 680 | 1020 | 1305 | M20 × 42 |
| 355S              | 2           | 610                      | 500 | 254 | 75 | 140 | 20 | 67.5 | 7.5 | 355 | 28 | 740 | 680 | 800 | 0 | 24 | 6        | 8                       | 740 | 750 | 500 | 640 | 1080 | 1415 | M20 × 42 |
|                   | 4.6.8.10    | 610                      | 500 | 254 | 95 | 170 | 25 | 86   | 9   | 355 | 28 | 740 | 680 | 800 | 0 | 24 | 6        | 8                       | 740 | 750 | 500 | 640 | 1080 | 1415 | M24 × 50 |
| 355M              | 2           | 610                      | 560 | 254 | 75 | 140 | 20 | 67.5 | 7.5 | 355 | 28 | 740 | 680 | 800 | 0 | 24 | 6        | 8                       | 740 | 750 | 500 | 700 | 1080 | 1495 | M20 × 42 |
|                   | 4.6.8.10    | 610                      | 560 | 254 | 95 | 170 | 25 | 86   | 9   | 355 | 28 | 740 | 680 | 800 | 0 | 24 | 6        | 8                       | 740 | 750 | 500 | 700 | 1080 | 1495 | M24 × 50 |
| 355L              | 2           | 610                      | 630 | 254 | 75 | 140 | 20 | 67.5 | 7.5 | 355 | 28 | 740 | 680 | 800 | 0 | 24 | 6        | 8                       | 740 | 750 | 500 | 770 | 1080 | 1645 | M20 × 42 |
|                   | 4.6.8.10    | 610                      | 630 | 254 | 95 | 170 | 25 | 86   | 9   | 355 | 28 | 740 | 680 | 800 | 0 | 24 | 6        | 8                       | 740 | 750 | 500 | 770 | 1080 | 1645 | M24 × 50 |