

IE3 SERIES

IE3系列三相异步电动机

IE3 SERIES THREE-PHASE INDUCTION MOTOR



特点 FEATURES

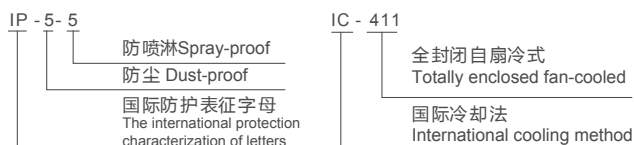
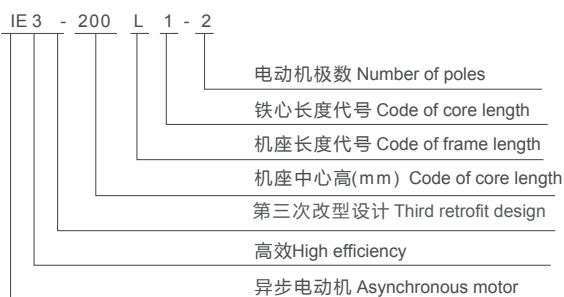
IE3系列三相异步电机是采用新技术、新材料最新开发的系列产品，是Y、Y2系列电机的升级换代产物。YE3系列电机全部采用国际电机行业流行的冷轧硅钢片为新磁性材料，系全封闭，外扇冷式鼠笼型结构，具有效率高（效率达到欧洲EFF标准）噪音低，转矩高，起动性好、结构紧凑、使用维护方便等特点。整机采用F级绝缘，且按国际惯例的绝缘结构式评定方法设计，从而提高了整机的安全可靠性能。防护等级达到了IP55。达到了国外同类产品的先进水平，是节能型的新产品。IE3系列电机可广泛应用于机床、风机、水泵、减速机、压缩机和交通运输，农业机械，食品加工、包装各类机械传动设备。

IE3 series (IP55) super-high efficiency three phase asynchronous motor (Frame Size 80mm to 355mm), is to achieve energy efficiency limit value of Low pressure totally enclosed fan cooled squirrel cage three phase asynchronous motor. The product is used to various fields of national economy, such as machine tools, pumps, fans, compressors, also apply to the transport, stirring, printing, agricultural machinery, and other types of food not contain flammable, explosive or corrosive gas applications. The motor is IP55, the cooling method is IC411, continuous duty (S1). Class F protection degree insulation structure, but the full range of temperature at B level assessment; and requested the assessment load noise; H315 ~ 355 motor already has installed oiling settings. The motor rated voltage is 380V, rated frequency 50Hz, power rating 0.75~375KW, contain 2P, 4P and 6P motor. The level of the motor runplace no more than 1000 m; The highest temperature is not more than 40°C, the lowest air temperature is -15°C.

使用条件 OPERATING CONDITIONS

环境温度：-15°C ~ 40 °C
 海拔：不超过1000m
 额定电压：380V, 400V, 415V, 440V, 660V
 额定频率：50HZ, 60HZ
 接法：3KW及以下规格为星形接法，
 4KW及以上规格为三角接法
 工作方法：S1
 绝缘等级：F，绕组温升按80K考核
 防护等级：IP55
 冷却方式：IC411
 Ambient temperature: -15°C ~ 40°C
 Altitude: not exceeding 1000meters above sea level.
 Rated voltage: 380V/400V/415V/440V/660V
 Rated frequency: 50Hz or 60Hz.
 Connection: Star-connection for 3KW or less,
 delta-connection for 4KW or more.
 Duty/Rating: Continuous (S1).
 Insulation class: F,
 Protection class: IP55
 Cooling method: IC411

代号说明 EXPLANATION OF TYPE DESIGNATION



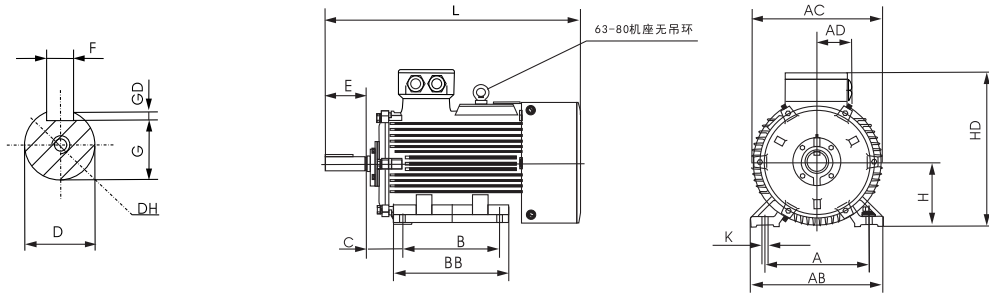
型号 Type	额定功率 Rated Power		额定电流 Rated Current (A)	额定转速 Rated speed (r/min)	效率 Efficiency η (%)	功率因数 Power Factor (Cos Φ)	堵转转矩 Locked-rotor torque	最大转矩 Pull-out torque	堵转电流 Locked-rotor current	最小转矩 Minimum Torque	噪音 Noise dB(A)
	KW	HP					额定转矩 Rated Torque Ts/Tn	额定转矩 Rated torque Tmax/Tn	额定电流 Rated Current Is/In	额定转矩 Rated torque Tmax/Tn	
380V 50Hz 2极同步转速 Synchronous Speed 3000r/min(2Poles)											
IE3-80M1-2	0.75	1	1.64	2800	80.7	0.82	2.3	2.3	7.0	1.5	64
IE3-80M2-2	1.1	1.5	2.31	2800	82.7	0.83	2.2	2.3	7.3	1.5	64
IE3-90S-2	1.5	2	3.06	2825	84.2	0.84	2.2	2.3	7.6	1.5	69
IE3-90L-2	2.2	3	4.35	2825	85.9	0.85	2.2	2.3	7.6	1.4	69
IE3-100L-2	3.0	4	5.71	2840	87.1	0.87	2.2	2.3	7.8	1.4	76
IE3-112M-2	4.0	5.5	7.45	2880	88.1	0.88	2.2	2.3	8.3	1.4	79
IE3-132S1-2	5.5	7.5	10.1	2890	89.2	0.88	2.0	2.3	8.3	1.2	81
IE3-132S2-2	7.5	10	13.7	2900	90.1	0.88	2.0	2.3	7.9	1.2	81
IE3-160M1-2	11	15	19.6	2900	91.2	0.89	2.0	2.3	8.1	1.2	83
IE3-160M2-2	15	20	26.5	2930	91.9	0.89	2.0	2.3	8.1	1.2	83
IE3-160L-2	18.5	25	32.5	2930	92.4	0.89	2.0	2.3	8.2	1.1	83
IE3-180M-2	22	30	38.5	2940	92.7	0.89	2.0	2.3	8.2	1.1	85
IE3-200L1-2	30	40	52.1	2970	93.3	0.89	2.0	2.3	7.6	1.1	86
IE3-200L2-2	37	50	64.0	2970	93.7	0.89	2.0	2.3	7.6	1.1	86
IE3-225M-2	45	60	76.8	2970	94.0	0.90	2.0	2.3	7.7	1.0	88
IE3-250M-2	55	75	93.5	2970	94.3	0.90	2.0	2.3	7.7	1.0	91
IE3-280S-2	75	100	127	2970	94.7	0.90	1.8	2.3	7.1	0.9	93
IE3-280M-2	90	125	152	2970	95.0	0.90	1.8	2.3	7.1	0.9	93
IE3-315S-2	110	150	185	2970	95.2	0.90	1.8	2.3	7.1	0.9	94
IE3-315M-2	132	180	224	2970	95.4	0.90	1.8	2.3	7.1	0.9	94
IE3-315L1-2	160	220	265	2970	95.6	0.91	1.8	2.3	7.2	0.9	94
IE3-315L2-2	200	270	331	2970	95.8	0.91	1.8	2.2	7.2	0.8	94
IE3-355M-2	250	340	414	2970	95.8	0.91	1.6	2.2	7.2	0.8	102
IE3-355L-2	315	430	522	2970	95.8	0.91	1.6	2.2	7.2	0.8	102
380V 50Hz 4极同步转速 Synchronous Speed 1500r/min(4Poles)											
IE3-80M2-4	0.75	1	1.75	1390	82.5	0.75	2.3	2.3	6.6	1.6	61
IE3-90S-4	1.1	1.5	2.48	1390	84.1	0.76	2.3	2.3	6.8	1.6	64
IE3-90L-4	1.5	2	3.30	1390	85.3	0.77	2.3	2.3	7.0	1.6	64
IE3-100L1-4	2.2	3	4.52	1410	86.7	0.81	2.3	2.3	7.6	1.5	69
IE3-100L2-4	3.0	4	6.02	1410	87.7	0.82	2.3	2.3	7.6	1.5	69
IE3-112M-4	4.0	5.5	7.95	1435	88.6	0.82	2.2	2.3	7.8	1.5	70
IE3-132S-4	5.5	7.5	10.7	1440	89.6	0.83	2.0	2.3	7.9	1.4	76
IE3-132M-4	7.5	10	14.3	1440	90.4	0.84	2.0	2.3	7.5	1.4	76
IE3-160M-4	11	15	20.4	1460	91.4	0.85	2.2	2.3	7.7	1.4	78
IE3-160L-4	15	20	27.3	1460	92.1	0.86	2.2	2.3	7.8	1.4	77
IE3-180M-4	18.5	25	33.5	1470	92.6	0.86	2.0	2.3	7.8	1.2	80
IE3-180L-4	22	30	39.7	1470	93.0	0.86	2.0	2.3	7.8	1.2	80

型号 Type	额定功率 Rated Power		额定电流 Rated Current (A)	额定转速 Rated speed (r/min)	效率 Efficiency η (%)	功率因数 Power Factor (Cos Φ)	堵转转矩	最大转矩	堵转电流	最小转矩	噪声 Noise dB(A)
	KW	HP					Locked-rotor torque Rated Torque Ts/Tn	Pull-out torque Rated torque Tmax/Tn	Locked-rotor current Rated Current Is/In	Minimum Torque Rated torque Tmax/Tn	
380V 50Hz 4极同步转速 Synchronous Speed 1500r/min(4Poles)											
IE3-200L-4	30	40	53.8	1470	93.6	0.86	2.0	2.3	7.3	1.2	80
IE3-225S-4	37	50	66.1	1475	93.9	0.86	2.0	2.3	7.4	1.2	81
IE3-225M-4	45	60	80.2	1475	94.2	0.86	2.0	2.3	7.4	1.1	81
IE3-250M-4	55	75	97.6	1480	94.6	0.86	2.2	2.3	7.4	1.1	82
IE3-280S-4	75	100	129	1480	95.0	0.88	2.0	2.3	6.9	1.0	83
IE3-280M-4	90	125	155	1480	95.2	0.88	2.0	2.3	6.9	1.0	83
IE3-315S-4	110	150	187	1480	95.4	0.89	2.0	2.2	7.0	1.0	91
IE3-315M-4	132	180	224	1480	95.6	0.89	2.0	2.2	7.0	1.0	91
IE3-315L1-4	160	220	271	1480	95.8	0.89	2.0	2.2	7.1	1.0	91
IE3-315L2-4	200	270	334	1480	96.0	0.90	2.0	2.2	7.1	0.9	91
IE3-355M-4	250	340	418	1490	96.0	0.90	2.0	2.2	7.1	0.9	97
IE3-355L-4	315	430	526	1490	96.0	0.90	2.0	2.2	7.1	0.8	97
380V 50Hz 6极同步转速 Synchronous Speed 1000r/min(6Poles)											
IE3-90S-6	0.75	1	1.93	910	78.9	0.71	2.0	2.1	6.0	1.5	64
IE3-90L-6	1.1	1.5	2.69	910	81.0	0.73	2.0	2.1	6.0	1.3	64
IE3-100L-6	1.5	2	3.60	920	82.5	0.73	2.0	2.1	6.5	1.3	68
IE3-112M-6	2.2	3	5.09	935	84.3	0.74	2.0	2.1	6.6	1.3	72
IE3-132S-6	3.0	4	6.84	960	85.6	0.74	2.0	2.1	6.8	1.3	76
IE3-132M1-6	4.0	5.5	8.99	960	86.8	0.74	2.0	2.1	6.8	1.3	76
IE3-132M2-6	5.5	7.5	12.0	960	88.0	0.75	2.0	2.1	7.0	1.3	76
IE3-160M-6	7.5	10	15.4	970	89.1	0.79	2.0	2.1	7.0	1.3	80
IE3-160L-6	11	15	22.0	970	90.3	0.80	2.0	2.1	7.2	1.2	80
IE3-180L-6	15	20	29.3	970	91.2	0.81	2.0	2.1	7.3	1.2	79
IE3-200L1-6	18.5	25	36.0	980	91.7	0.81	2.0	2.1	7.3	1.2	79
IE3-200L2-6	22	30	42.5	980	92.2	0.81	2.0	2.1	7.4	1.2	79
IE3-225M-6	30	40	56.2	985	92.9	0.83	2.0	2.1	6.9	1.2	80
IE3-250M-6	37	50	68.1	980	93.3	0.84	2.0	2.1	7.1	1.2	82
IE3-280S-6	45	60	81.6	980	93.7	0.85	2.0	2.0	7.3	1.1	84
IE3-280M-6	55	75	98.1	980	94.1	0.86	2.0	2.0	7.3	1.1	84
IE3-315S-6	75	100	136	985	94.6	0.84	2.0	2.0	6.6	1.0	88
IE3-315M-6	90	125	161	985	94.9	0.85	2.0	2.0	6.7	1.0	88
IE3-315L1-6	110	150	196	985	95.1	0.85	2.0	2.0	6.7	1.0	88
IE3-315L2-6	132	180	232	985	95.4	0.86	2.0	2.0	6.8	1.0	88
IE3-355M1-6	160	220	281	990	95.6	0.86	1.8	2.0	6.8	1.0	89
IE3-355M2-6	200	270	346	990	95.8	0.87	1.8	2.0	6.8	0.9	89
IE3-355L-6	250	340	433	990	95.8	0.87	1.8	2.0	6.8	0.9	89
IE3-3552-6	315	580.9	552	990	95.8	0.86	1.8	2.0	6.8	0.8	95

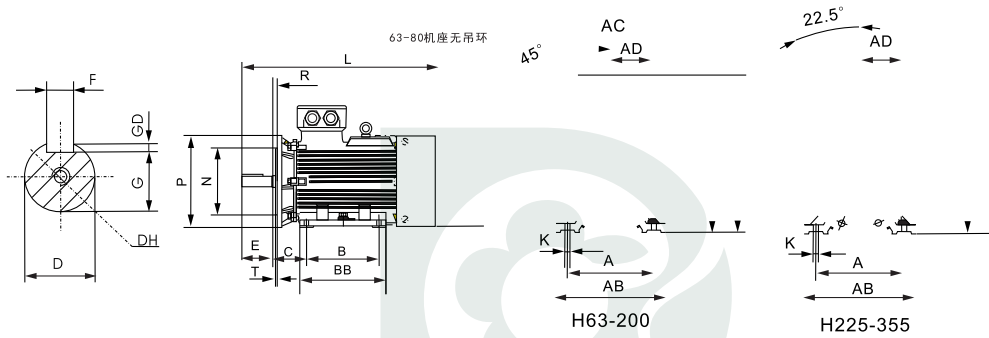


安装及外形尺寸 MOUNTING AND OVERALL DIMENSIONS

B3



B35



机座号 Frame Size	极数 Poles	安装尺寸 Mounting Dimensions																凸缘孔数	外形尺寸 Overall Dimensions						
		A	B	C	D	E	F	G	GD	H	K	M	N	P	R	S	T		AB	AC	AD	BB	HD	L	DH
80M	2.4.6.8	125	100	50	19	40	6	15.5	3.5	80	10	165	130	200	0	12	3.5	4	165	165	180	130	320	320	M6 × 16
90S	2.4.6.8	140	100	56	24	50	8	20	4	90	12	165	130	200	0	12	3.5	4	180	180	180	135	350	370	M8 × 19
90L	2.4.6.8	140	125	56	24	50	8	20	4	90	12	165	130	200	0	12	3.5	4	180	180	180	160	350	395	M8 × 19
100L	2.4.6.8	160	140	63	28	60	8	24	4	100	12	215	180	250	0	15	4	4	200	205	180	180	400	448	M10 × 22
112M	2.4.6.8	190	140	70	28	60	8	24	4	112	12	215	180	250	0	15	4	4	245	230	200	180	420	500	M10 × 22
132S	2.4.6.8	216	140	89	38	80	10	33	5	132	15	265	230	300	0	15	4	4	280	270	200	190	450	550	M12 × 28
132M	2.4.6.8	216	178	89	38	80	10	33	5	132	15	265	230	300	0	15	4	4	280	270	200	230	450	600	M12 × 28
160M	2.4.6.8	254	210	108	42	110	12	37	5	160	15	300	250	350	0	19	5	4	330	325	220	260	520	720	M16 × 36
160L	2.4.6.8	254	254	108	42	110	12	37	5	160	15	300	250	350	0	19	5	4	330	325	220	310	520	750	M16 × 36
180M	2.4.6.8	279	241	121	48	110	14	42.5	5.5	180	19	300	250	350	0	19	5	4	355	360	220	241	550	771	M16 × 36
180L	2.4.6.8	279	279	121	48	110	14	42.5	5.5	180	19	300	250	350	0	19	5	4	355	360	220	279	550	791	M16 × 36
200L	2.4.6.8	318	305	133	55	110	16	49	6	200	19	350	300	400	0	19	5	4	390	400	250	370	645	840	M20 × 42
225S	4.8	356	286	149	60	140	18	53	7	225	19	400	350	450	0	19	5	8	435	450	250	355	690	888	M20 × 42
225M	2	356	311	149	55	110	16	49	6	225	19	400	350	450	0	19	5	8	435	450	250	380	690	918	M20 × 42
	4.6.8	356	311	149	60	140	18	53	7	225	19	400	350	450	0	19	5	8	435	450	250	380	690	918	M20 × 42
250M	2	406	349	168	60	140	18	53	7	250	24	500	450	550	0	19	5	8	490	500	300	420	730	965	M20 × 42
	4.6.8	406	349	168	65	140	18	58	7	250	24	500	450	550	0	19	5	8	490	500	300	420	730	965	M20 × 42
280S	2	457	368	190	65	140	18	58	7	280	24	500	450	550	0	19	5	8	545	565	300	440	810	1007	M20 × 42
	4.6.8	457	368	190	75	140	20	67.5	7.5	280	24	500	450	550	0	19	5	8	545	565	300	440	810	1007	M20 × 42
280M	2	457	419	190	65	140	18	58	7	280	24	500	450	550	0	19	5	8	545	565	300	490	810	1072	M20 × 42
	4.6.8	457	419	190	75	140	20	67.5	7.5	280	24	500	450	550	0	19	5	8	545	565	300	490	810	1072	M20 × 42
315S	2	508	406	216	65	140	18	58	7	315	28	600	550	660	0	24	6	8	640	630	400	570	1020	1185	M20 × 42
	4.6.8.10	508	406	216	80	170	22	71	9	315	28	600	550	660	0	24	6	8	640	630	400	570	1020	1185	M20 × 42
315M	2	508	457	216	65	140	18	58	7	315	28	600	550	660	0	24	6	8	640	630	400	680	1020	1305	M20 × 42
	4.6.8.10	508	457	216	80	170	22	71	9	315	28	600	550	660	0	24	6	8	640	630	400	680	1020	1305	M20 × 42
315L	2	508	508	216	65	140	18	58	7	315	28	600	550	660	0	24	6	8	640	630	400	680	1020	1305	M20 × 42
	4.6.8.10	508	508	216	80	170	22	71	9	315	28	600	550	660	0	24	6	8	640	630	400	680	1020	1305	M20 × 42
355S	2	610	500	254	75	140	20	67.5	7.5	355	28	740	680	800	0	24	6	8	740	750	500	640	1080	1415	M20 × 42
	4.6.8.10	610	500	254	95	170	25	86	9	355	28	740	680	800	0	24	6	8	740	750	500	640	1080	1415	M24 × 50
355M	2	610	560	254	75	140	20	67.5	7.5	355	28	740	680	800	0	24	6	8	740	750	500	700	1080	1495	M20 × 42
	4.6.8.10	610	560	254	95	170	25	86	9	355	28	740	680	800	0	24	6	8	740	750	500	700	1080	1495	M24 × 50
355L	2	610	630	254	75	140	20	67.5	7.5	355	28	740	680	800	0	24	6	8	740	750	500	770	1080	1645	M20 × 42
	4.6.8.10	610	630	254	95	170	25	86	9	355	28	740	680	800	0	24	6	8	740	750	500	770	1080	1645	M24 × 50